

# Preimage Attack on Hashing with Polynomials

Donghoon Chang

Center for Information Security Technologies(CIST),  
Korea University, Korea  
dhchang@cist.korea.ac.kr

**Abstract.** In this paper, we suggest a preimage attack on Hashing with Polynomials [1]. The algorithm has  $n$ -bit hash output and  $n$ -bit intermediate state. (for example,  $n = 163$ ). The algorithm is very simple and light so that it can be implement in low memory environment. Our attack is based on the meet-in-the-middle attack. We can find a preimage with the time complexity  $2^{n-t} + 2^t$  and the memory  $2^t$ . We recommend that hash functions such as Hashing with Polynomials should have the intermediate state size at least two times bigger than the output size.

**Keywords :** Hash Function, Polynomial, Preimage Attack.

## 1 Introduction.

Nowadays, since MD4-style hash function were broken, new style hash functions are studied intensively. On the other hand, new style hash functions have little security analysis. So, probably secure hash algorithms are more important. Since hash functions are used practically, new hash functions must be efficient also. This paper describe a preimage attack on Hashing with Polynomials which is totally different from MD4-style hash functions. This means that the algorithm must be modified. Frankly speaking, even though the algorithm is modified, we can not have a confidence that the modified algorithm is secure. This means that provably secure hash function is required.

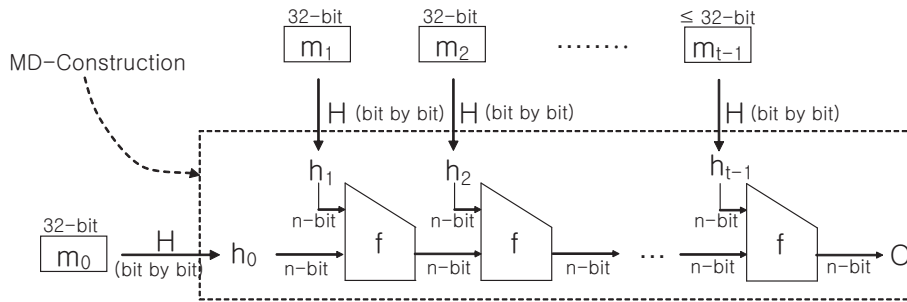
## 2 Hashing with Polynomials

$R = \mathbb{F}_{2^n} = \mathbb{F}_2[x]/(p(x))$  where  $p(x)$  is an irreducible polynomial of degree  $n$ .  $\alpha$  is a root of  $p(x)$ .  $P(\alpha)$  and  $Q(\alpha)$  are two elements of  $R$ . For a bit '0' or '1',  $H(0) = P(\alpha)$  and  $H(1) = Q(\alpha)$ .  $u_i(\alpha)$  and  $v_i(\alpha)$  are fixed elements of  $R$ .  $f(x, y) = s = x \circ y = (x + u_1(\alpha)) \cdot (y + u_2(\alpha)) + x \cdot v_1(\alpha) + y \cdot v_2(\alpha)$ .  $H(\mathcal{S}_1 \mathcal{S}_2) = f(H(\mathcal{S}_1), H(\mathcal{S}_2))$ . Then, Hashing with Polynomials is defined like Fig. 1 and Fig. 2. For example, the author [1] suggests particular polynomials for Hashing with Polynomials as follows:  $p(x) = x^{163} + x^7 + x^6 + x^5 + x^4 + x + 1$ ,  $P(\alpha) = \alpha^7 + 1$ ,  $Q(\alpha) = \alpha^8 + 1$ ,  $u_1(\alpha) = \alpha^2$ ,  $u_2(\alpha) = \alpha$ ,  $v_1(\alpha) = 1$  and  $v_2(\alpha) = \alpha$ . However, our attack does not depend on the polynomials, i.e. we can find a preimage for any polynomials.

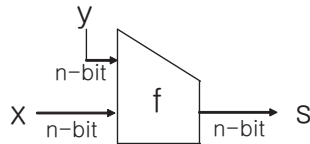
$\text{HashPoly}(M) = O$  ( $n$ -bit hash output)  
 $M$  is any bit length (at least 2 bits) message for which  $M = m_0 || m_1 || \dots || m_{t-1}$  and each  $m_i$  is 32-bit for  $0 \leq i \leq t-2$  and  $m_{t-1}$  has 32 bits at most.

1. Compute the hash  $h_i$  of each block  $m_i$  independently, going left to right bit by bit and using the recursive formula  $H$ .
2. Compute the hash of  $M$  inductively, going left to right block by block and using the recursive formula  $H$ .
3. Output  $O$  which is the final  $n$ -bit value.

**Fig. 1.** Hashing with Polynomials.



**Fig. 2.** Hashing with Polynomials.



**Fig. 3.**  $f(x, y) = s = x \circ y = (x + u_1(\alpha)) \cdot (y + u_2(\alpha)) + x \cdot v_1(\alpha) + y \cdot v_2(\alpha)$ .

### 3 Preimage Attack on Hashing with Polynomials

This section, we show a preimage attack on Hashing with Polynomials [1].

#### Easy to Invert Function $f$

Here, we show that it is easy to invert  $f$ .

$$f(x, y) = s = x \circ y = (x + u_1(\alpha)) \cdot (y + u_2(\alpha)) + x \cdot v_1(\alpha) + y \cdot v_2(\alpha)$$

Given any value  $s$ , we choose a  $y$  and then we can easily get  $x$  satisfying above equation because all terms are fixed values except  $x$ .

#### the Meet-in-the-Middle Attack

Hashing with Polynomials [1] uses Merkle-Damgård-construction and use a function  $f$  easy to invert. And the size of intermediate value is same as that of the hash output value. This means we can apply the meet-in-the-middle attack as follows.

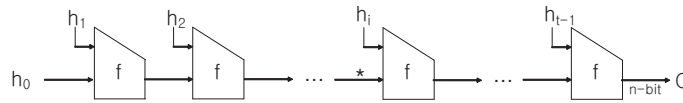


Fig. 4. Merkle-Damgård Construction : Meet-in-the-Middle Attack.

Given an output  $O$ , we choose any  $m_i \sim m_{t-1}$  and get  $h_i \sim h_{t-1}$  corresponding to them by the recursive function  $H$ . Then we can know the value in  $*$  in Fig. 4 and store it in a table. Like this, we repeat to choose  $m_i \sim m_{t-1}$   $2^t$  times and repeat to store the value in  $*$  in Fig. 4. Then we choose randomly  $m_0 \sim m_{i-1}$  and get the value in  $*$  and then check if the value is in the table. If there is the value in the table, we can know a preimage of the hash output  $O$ . According to the birthday attack, it is enough to repeat to choose  $m_0 \sim m_{i-1}$   $2^{n-t}$  times. Therefore, we can find a preimage with the time complexity  $2^{n-t} + 2^t$  and the memory  $2^t$ .

### 4 Conclusion

In this paper, we show a preimage attack on Hashing with Polynomials. We comment that the size of the intermediate value should be at least two times bigger than that of the hash output. Even though the algorithm is modified, more careful analyses on it are required.

## References

1. V. Shpilrain, *Hashing with Polynomials*, <http://www.sci.ccnycuny.edu/~shpil/hashpoly.pdf>.