

On Generalized Feistel Networks

Viet Tung Hoang and Phillip Rogaway

Dept. of Computer Science, University of California, Davis, USA

Abstract. We prove beyond-birthday-bound security for most of the well-known types of generalized Feistel networks: (1) unbalanced Feistel networks, where the n -bit to m -bit round functions may have $n \neq m$; (2) alternating Feistel networks, where the round functions alternate between contracting and expanding; (3) type-1, type-2, and type-3 Feistel networks, where n -bit to n -bit round functions are used to encipher kn -bit strings for some $k \geq 2$; and (4) numeric variants of any of the above, where one enciphers numbers in some given range rather than strings of some given size. Using a unified analytic framework, we show that, in any of these settings, for any $\varepsilon > 0$, with enough rounds, the subject scheme can tolerate CCA attacks of up to $q \sim N^{1-\varepsilon}$ adversarial queries, where N is the size of the round functions' domain (the larger domain for alternating Feistel). This is asymptotically optimal. Prior analyses for most generalized Feistel networks established security to only $q \sim N^{0.5}$ queries.

Key words: block ciphers, coupling, Feistel networks, generalized Feistel networks, modes of operation, provable security, symmetric techniques.

1 Introduction

BACKGROUND. Feistel-like ciphers come in several flavors beyond the “classical” one used in DES [7, 31]. In speaking of *generalized* Feistel networks we mean to encompass most all of them; see Fig. 1. In particular, we include: *unbalanced* Feistel networks with either expanding or contracting round functions, as described by Schneier and Kelsey [30]; *alternating* Feistel networks, where the rounds alternate between contracting and expanding steps, as described by Anderson and Biham [1] and by Lucks [11]; *type-1*, *type-2*, and *type-3* Feistel networks, as described by Zheng, Matsumoto, and Imai [35], each of which uses an n -bit to n -bit round function to create a kn -bit blockcipher for some $k \geq 2$; and *numeric* variants of any of the above, where one enciphers numbers in \mathbb{Z}_N , for some $N \in \mathbb{N}$, instead of enciphering binary strings. Well-known blockciphers that use generalized Feistel networks include Skipjack (an unbalanced Feistel network), BEAR/LION (alternating), CAST-256 (type-1), RC6 (type-2), and MARS (type-3).

The provable-security analysis of Feistel networks begins with the seminal work of Luby and Rackoff [10]. The ν round functions used are assumed to be selected uniformly and independently at random ($\nu = 3$ or $\nu = 4$ in [10]). One then considers how close to a random permutation the constructed cipher is. Subsequent work in this information-theoretic framework (still analyzing the classical Feistel construction) includes Maurer [12], Naor and Reingold [19], Vaudenay [33], Maurer and Pietrzak [13], and a sequence of papers by Patarin [21–24, 26]. The last culminates with the claim that six rounds of (classical) Feistel on a $2n$ -bit string is enough to defeat (meaning the advantage goes to 0 as $n \rightarrow \infty$) adaptive chosen-ciphertext attacks of $2^{n(1-\varepsilon)}$ queries, for any $\varepsilon > 0$.

Information-theoretic analysis of *generalized* Feistel schemes is less mature. We postpone describing the known results except to say that they are either completely absent (alternating Feistel with highly-imbalanced round functions), quantitatively weak (birthday bounds that generalize Luby and Rackoff’s 25-year-old work), or highly specialized (unbalanced Feistel networks with maximally unbalanced contracting round functions).

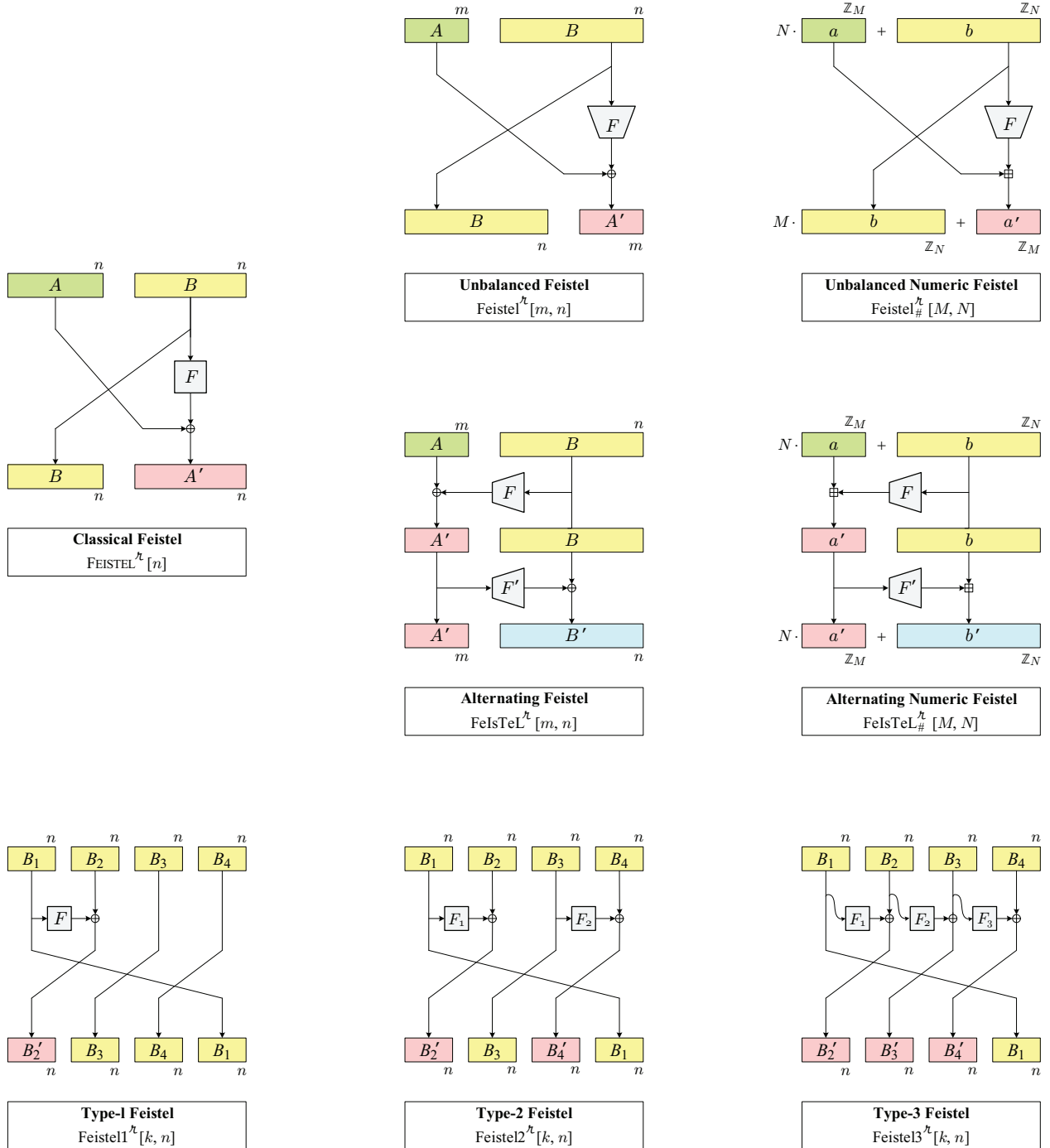


Fig. 1. Generalized Feistel networks. The superscript \mathcal{n} is the number of rounds. The illustrations show a single round $\mathcal{n} = 1$ except for the alternating schemes, where $\mathcal{n} = 2$ rounds are shown. Scheme FEISTEL is the classical balanced-Feistel; all remaining schemes are generalizations of it. Schemes Feistel_# and FeIsTeL_# are numeric variants of Feistel (unbalanced Feistel) and FeIsTeL (alternating Feistel); they encipher a number $x = aN + b \in \mathbb{Z}_{MN}$ ($a \in \mathbb{Z}_M, b \in \mathbb{Z}_N$) instead of a string $X \in \{0, 1\}^{m+n}$. Schemes Feistel1, Feistel2, and Feistel3 are the so-called type-1, type-2, and type-3 Feistel networks. They are used in modern blockciphers like CAST-256, RC6, and MARS, respectively. Variable k refers to the number of n -bit input blocks B_1, \dots, B_k . The illustrations are for $k = 4$.

scheme	$E =$	$\mathbf{Adv}_E^{\text{cca}}(q) \leq$	where $\mathcal{n} =$	see	cf
classical	$\text{FEISTEL}^{\mathcal{n}}[n]$	$\frac{2q}{r+1} (4q / 2^n)^r$	$6r - 1$	Theorem 6	[10, 13, 26]
unbalanced	$\text{Feistel}^{\mathcal{n}}[m, n]$			Theorem 7	[17, 19]
	with $n > m$	$\frac{2q}{r+1} ((3\lceil n/m \rceil + 3)q / 2^n)^r$	$r(4\lceil n/m \rceil + 4)$		
	with $n \leq m$	$\frac{2q}{r+1} (4\lceil m/n \rceil q / 2^n)^r$	$r(2\lceil m/n \rceil + 4)$		
unbalanced‡	$\text{Feistel}^{\mathcal{n}}_{\#}[M, N]$			Theorem 8	[4, 32]
	with $N > M$	$\frac{2q}{r+1} ((9\lceil \log_M N \rceil + 5)q / N)^r$	$r(6\lceil \log_M N \rceil + 4)$		
	with $N \leq M$	$\frac{2q}{r+1} ((7\lceil \log_N M \rceil + 7)q / N)^r$	$r(2\lceil \log_N M \rceil + 6)$		
alternating	$\text{FeIsTeL}^{\mathcal{n}}[m, n]$	$\frac{2q}{r+1} ((6\lceil n/m \rceil + 3)q / 2^n)^r$	$r(12\lceil n/m \rceil + 8)$	Theorem 9	[1, 11]
alternating‡	$\text{FeIsTeL}^{\mathcal{n}}_{\#}[M, N]$	$\frac{2q}{r+1} ((6\lceil \log_M N \rceil + 3)q / N)^r$	$r(12\lceil \log_M N \rceil + 8)$	Theorem 9	[3, 4]
type-1	$\text{Feistel}1^{\mathcal{n}}[k, n]$	$\frac{2q}{r+1} (2k(k-1)q / 2^n)^r$	$r(4k-2)$	Theorem 10	[16, 35]
type-2	$\text{Feistel}2^{\mathcal{n}}[k, n]$	$\frac{2q}{r+1} (2k(k-1)q / 2^n)^r$	$r(2k+2)$	Theorem 10	[16, 35]
type-3	$\text{Feistel}3^{\mathcal{n}}[k, n]$	$\frac{2q}{r+1} (4(k-1)^2q / 2^n)^r$	$r(2k+2)$	Theorem 10	[16, 35]

Fig. 2. Summary of CCA bounds in this paper. The rows correspond to the generalized Feistel networks pictured in Fig. 1. Unbalanced schemes are distinguished by their using contracting ($n > m$) or expanding ($n \leq m$) round functions. Parameters k, m, n, M, N describe the scheme and $r \geq 1$ determines the number of rounds \mathcal{n} .

CONTRIBUTIONS. Our CCA-security bounds for generalized Feistel networks are described in Fig. 2. Let us briefly describe each result and how it compares with prior work.

For the classical Feistel network on $2n$ bits, our results are comparable to those of Maurer and Pietrzak (henceforth “MP”) [13]. As with that work, the bounds get better as one increases the number of rounds \mathcal{n} . Asymptotically, for any $\varepsilon > 0$, there is a corresponding number of rounds \mathcal{n} (about $6/\varepsilon$) such that any CCA-adversary has vanishing advantage if it asks at most $q = 2^{n(1-\varepsilon)}$ forwards or backwards queries. Our actual results are concrete (as shown in the table above), and are a little sharper than MP’s bounds; see Fig. 3 for a graphical comparison. Our proof is much simpler than those of MP or Patarin. One reason for this is just that we employ the lovely result of Maurer, Pietrzak, and Renner for passing from NCPA-security to CCA-security [14]. The more important reason stems from our use of *coupling*, a well-known technique from the theory of Markov chains.

Next we look at unbalanced Feistel networks; the round functions are maps $F_i: \{0, 1\}^n \rightarrow \{0, 1\}^m$. For the contracting case ($n > m$) we prove CCA-security to $2^{n(1-\varepsilon)}$ queries. Earlier work by Naor and Reingold provided bounds that topped out at $2^{n/2}$ adversarial queries. Interpreting our result, if one holds fixed the block length $\ell = m + n$, bounds improve with increasing imbalance, the best bounds at $m = 1$, the setting earlier studied by Morris, Rogaway, and Stegers (“MRS”) [17]. In effect, we “connect up” MP’s bounds on balanced Feistel with MRS’s bounds on maximally unbalanced Feistel, demonstrating a smooth increase in security with increasing imbalance. This behavior is not an artifact of the analysis; corresponding information-theoretic attacks do exist [22, 27].

For unbalanced Feistel networks with expanding random round functions ($n \leq m$) our concrete-security results (again see Fig. 2) can similarly be interpreted asymptotically to show CCA security to $2^{n(1-\varepsilon)}$ queries. But note that as imbalance increases in an expanding round functions the value

of n goes down, so provable security is effectively vanishing. Again this is no artifact; there are corresponding information-theoretic attacks [22, 28].

We next treat unbalanced Feistel networks that acts on numbers instead of strings, the blockcipher we denote $\text{Feistel}_{\#}^{\mathcal{L}}[M, N]$. This situation is seen in the card-shuffling technique of Thorp [32] (where $M = 2$) and is defined explicitly in the work of Bellare *et al.* [4]. While one might expect unbalanced Feistel schemes to behave similarly in the number-based and string-based settings, being able to show this is something else: the number-based setting is considerably more complex. We note that MRS only managed to deal with the case $M = 2$ and $N = 2^n$, leaving the generalization open. We show security to $q \sim N^{1-\varepsilon}$ queries.

Unbalanced Feistel networks are unpleasant in requiring a “repartitioning” of each round’s output before it can be treated as the next round’s input. An alternative is suggested by the “ladder” way of drawing DES (the way that avoids wire-crossings, as in our illustration of FelsTeL). Information-theoretic security bounds for alternating Feistel networks [1, 3, 4, 11] were weak in two ways: quantitatively, they top out at the birthday-bound; qualitatively, they depend on the domain size of the round function with *smaller* domain, leading to a non-result for the highly imbalanced setting. We overcome both issues. Our results cover the numeric as well as the string-based settings. This time, the coupling we use, and its analysis, are quite complex.

Finally, we consider the well-known type-1, type-2, and type-3 Feistel networks [35], as used in several modern blockciphers. For each we prove information-theoretically optimal bounds (as the number of rounds becomes large). The proofs here are straightforward compared to those for unbalanced and alternating Feistel, highlighting a strength of the coupling-based approach.

Unmentioned in all of the above is that our string-based results also work when the alphabet is non-binary. This turns out to be useful; for example, one could encipher a 16-digit credit card number (CCN) (the ciphertext again being a 16-digit number) using a scheme $\text{FEISTEL}_{10}^{\mathcal{L}}[8]$ just like $\text{FEISTEL}^{\mathcal{L}}[8]$ but over the decimal alphabet instead of the binary one [2] (re-interpret the xor operator as, say, modular addition). Our security bounds for schemes with non-binary alphabets are as given in Fig. 2 but with 2^n replaced by d^n , where d is the radix of the alphabet.

In general, finding a unified framework with which to analyze Feistel-like schemes—one that gives concrete, asymptotically optimal, humanly-verifiable bounds—is a contribution we see as being at least as important as all the improved bounds.

ADDITIONAL RELATED WORK. In work just subsequent to our own, Patarin provides a concrete security bound for the classical Feistel construction $\text{FEISTEL}^6[n]$ [25]. He goes on to claim beyond-birthday-bound security for the unbalanced scheme $\text{Feistel}^8[n, 2n]$. Earlier versions of our paper confessed an inability to extract concrete security bounds from Patarin’s body of work.

Nachev attacks a Feistel variant that she calls an alternating unbalanced Feistel scheme [18], but the scheme is different from the more classical one that we study here. The specific rotation operation used in Nachev’s scheme makes this Feistel variant highly insecure.

The first use of a coupling argument in cryptography that we know is due to Mirinov, who used the technique to give a lovely (even if slightly heuristic) analysis of RC4 [15]. As mentioned earlier, Morris, Rogaway, and Stegers go on to use coupling to analyze the security of a maximally-unbalanced (contracting round function) Feistel network. Our work builds on theirs, but our use of coupling becomes considerably more complex.

Beyond their use in making conventional blockciphers, generalized Feistel networks have been proposed as blockcipher modes-of-operation for format-preserving encryption (FPE) [3–5]. Here

one usually aims to encipher points within some arbitrary string-valued domain Σ^n , or within some arbitrary numeric domain \mathbb{Z}_N . Commercial interest in doing this has been spurred by PCI regulations [29] that require vendors to encipher CCNs they store; an architecturally clean way to do this is to encipher a column in a database without making any modification to the database’s schema. There is now a NIST proposal for an FPE-providing mode of operation, FFX [2], that employs an unbalanced or alternating Feistel network over a possibly non-binary alphabet.

2 Preliminaries

NOTATION. For finite nonempty sets A and B , let $\text{Func}(A, B)$ be the set of all functions from A to B and let $\text{Perm}(A)$ be the set of all permutations on A . For numbers $a, b \geq 1$, let $\text{Func}(a, b)$ be the set of all functions from $\{0, 1\}^a$ to $\{0, 1\}^b$.

BLOCKCIPHERS. Let $E: \mathcal{K} \times \mathcal{M} \rightarrow \mathcal{M}$ be a blockcipher, meaning that each $E_K(\cdot) = E(K, \cdot)$ is a permutation on the finite nonempty set \mathcal{M} . We emphasize that \mathcal{M} (and also \mathcal{K}) need not consist of binary strings of some particular length, as is often assumed to be the case. For any blockcipher E , we let E^{-1} be its inverse blockcipher. For blockcipher $E: \mathcal{K} \times \mathcal{M} \rightarrow \mathcal{M}$ and adversary A the *advantage* of A in carrying out an (adaptive) chosen-ciphertext attack (CCA) on E is $\mathbf{Adv}_E^{\text{cca}}(A) = \Pr[K \xleftarrow{\$} \mathcal{K}: A^{E_K(\cdot), E_K^{-1}(\cdot)} \Rightarrow 1] - \Pr[\pi \xleftarrow{\$} \text{Perm}(\mathcal{M}): A^{\pi(\cdot), \pi^{-1}(\cdot)} \Rightarrow 1]$. We say that A carries out an (adaptive) chosen-plaintext attack (CPA) if it asks no queries to its second oracle. Adversary A is *non-adaptive* if it asks the same queries on every run. Let $\mathbf{Adv}_E^{\text{cca}}(q)$ be the maximum advantage of any (adaptive) CCA adversary against E subject to the adversary asking at most q total oracle queries. Similarly define $\mathbf{Adv}_E^{\text{n CPA}}(q)$ for nonadaptive CPA attacks (NCPA).

For blockciphers $F, G: \mathcal{K} \times \mathcal{M} \rightarrow \mathcal{M}$ let $F \circ G$ denote their cascade, with F ’s output fed into G ’s input; formally, $F \circ G: \mathcal{K}^2 \times \mathcal{M} \rightarrow \mathcal{M}$ is defined by $(F \circ G)_{(K, K')} = G_{K'}(F_K(X))$. To be consistent with this left-to-right convention for composing blockciphers we define composition of permutations by $(f \circ g)(x) = g(f(x))$. (This won’t be used often and should not cause confusion for those used to the opposite convention.)

COUPLING ARGUMENTS. The high-level idea for a coupling argument can be explained like this. We have a Markov chain X_t that we want to analyze. For example, the Markov chain may consist of the image of the distinct, fixed strings $(x_1, \dots, x_q) \in (\{0, 1\}^{2n})^q$ as each point is enciphered for t rounds according to the classical Feistel network on $2n$ bits. We would like to show that, after $t = \nu$ rounds, the tuple of points X_t is pretty close to being uniformly distributed. For this purpose, we introduce a *second* Markov chain U_t that, after any number of rounds t , is indisputably uniform. We arrange so that X_t and U_t can be viewed as co-evolving on a common probability space; formally, we create a joint distribution that yields the correct marginal distributions. We try to arrange our joint distribution so that, usually, X_t and U_t quickly *couple*: for *most* random choices, it does not take long until $X_t = U_t$. After X_t and U_t come together, they should remain so. The basic observation underlying coupling is that the statistical distance between the distributions associated to X_t and U_t is upperbounded by the probability that $X_t \neq U_t$.

More formally, let μ and ν be probability distributions on a finite event space Ω . The *total variation distance* between distributions μ and ν is defined as

$$\|\mu - \nu\| = \frac{1}{2} \sum_{x \in \Omega} |\mu(x) - \nu(x)| = \max_{S \subseteq \Omega} \{\mu(S) - \nu(S)\} .$$

A *coupling* of μ and ν is a pair of random variables $X, Y: \Omega \rightarrow R$ (the set R is arbitrary) such that $X \sim \mu$ and $Y \sim \nu$, that is, variables X and Y have marginal distributions μ and ν , respectively. The *coupling lemma* we will use is as follows.

Lemma 1 (Coupling lemma) *Let μ and ν be probability distributions on a finite event space Ω and let (X, Y) be a coupling of μ and ν . Then $\|\mu - \nu\| \leq \Pr[X \neq Y]$.*

FROM COUPLING TO NCPA-SECURITY. Suppose that an adversary asks some non-adaptive distinct queries. The adversary’s NCPA advantage cannot exceed the total variation distance between the distribution of the outputs from her queries and the uniform distribution. The uniform distribution itself can be viewed as the distribution of outputs from a uniformly random choice of distinct queries. Think of a coupling argument as a computer program that accepts as its input either the actual adversarial queries or a pool of uniformly random, distinct queries. On each input, the program implements a Feistel network and gives a random output. The program tries to produce the same output on its two possible inputs. Hence the total variation distance between the distributions of the program’s outputs is upperbounded by the program’s probability of failure (that is, its failure to produce the same output in the two cases).

To ease the design of such a program, a hybrid argument is employed and a chain of inputs is created—the first being the adversarial queries and the last being the pool of uniformly random, distinct ones. The purpose of this hybrid argument is to reduce the difference between any pair of adjacent inputs in the chain. Given an arbitrary pair of adjacent inputs, our goal now is to design a coupling program that produces identical output on those two inputs with high probability. The program runs both inputs, one after another. When the program starts running the second input, it has finished the operations on the first input and now knows all the random choices of the first Feistel network. It then uses this knowledge in implementing the second Feistel network. For example, if at some step the second network needs a uniformly random string then the program may reuse the corresponding string from the first network. The random choices in the second network are geared toward the first output, but they are subject to the restriction that the round functions in the second network must be independent and uniformly random.

FROM NCPA TO CCA-SECURITY. We bound the CCA-security of a Feistel network from its NCPA-security by using the following result of Maurer, Pietrzak, and Renner [14, Corollary 5]. It is key to our approach, effectively letting us assume that our adversaries are of the simple, NCPA breed. Recall that in writing $F \circ G$, the blockciphers are, in effect, independently keyed.

Lemma 2 (Maurer-Pietrzak-Renner) *If F and G are blockciphers on the same message space then, for any q , $\text{Adv}_{F \circ G}^{\text{cca}}(q) \leq \text{Adv}_F^{\text{n CPA}}(q) + \text{Adv}_G^{\text{n CPA}}(q)$.*

3 Classical Feistel

This section provides a strong, concrete security bound for conventional, balanced Feistel networks. It also serves as a pedagogical example for proving security of a Feistel network using coupling; some later examples get much more complex.

DEFINING THE SCHEME. Fix $n \geq 1$ and let $F: \{0, 1\}^n \rightarrow \{0, 1\}^n$ be a function. Define from F the permutation $\Psi_F: \{0, 1\}^{2n} \rightarrow \{0, 1\}^{2n}$ by way of $\Psi_F(A, B) = (B, A \oplus F(B))$ where $|A| = |B| = n$, and \oplus denotes xor. Blockcipher $\text{FEISTEL}^n[n]: \mathcal{K} \times \{0, 1\}^{2n} \rightarrow \{0, 1\}^{2n}$ has key space

$\mathcal{K} = (\text{Func}(n, n))^\nu$ and a key $(F_1, \dots, F_\nu) \in \mathcal{K}$ names the permutation $\Psi_{F_1} \circ \dots \circ \Psi_{F_\nu}$ on $\{0, 1\}^{2n}$. Each F_i is called the round function at round i . For an illustration, see Fig. 1.

INITIAL NOTATION. Given a query X to $E = \text{FEISTEL}^\nu[n]$, define its round-0 output to be X itself, while the round- t output is $(\Psi_{F_1} \circ \dots \circ \Psi_{F_t})(X)$. The *coin* of the query X at round t is the string $A \oplus F(B)$, where F is the round function at round t and (A, B) is the round- $(t-1)$ output, with $|A| = |B| = n$. Two queries *collide* at time t if their round- t outputs have the same final n bits.

NCPA-SECURITY. We will now prove the NCPA-security of E by way of coupling, afterwards lifting this to show CCA-security using the result of [14] from Lemma 2. The lemma below will help us bound the probability that we *fail* to couple.

Lemma 3 *For the blockcipher $E = \text{FEISTEL}^\nu[n]$, the chance that two distinct non-adaptive queries collide at time $t \geq 1$ is at most 2^{-n} .*

Proof. Suppose that the Feistel network receives distinct nonadaptive queries X_1 and X_2 . For each $i \in \{1, 2\}$, let (A_i, B_i) be the output at round $t-1$ of X_i , where $|A_i| = |B_i| = n$. The queries X_1 and X_2 collide at time t if and only if $A_1 \oplus F(B_1) = A_2 \oplus F(B_2)$, with F being the round function at round t . This occurs with probability 2^{-n} if B_1 and B_2 differ, because F is uniformly random. If $B_1 = B_2$ then so are A_1 and A_2 , which contradicts the hypothesis that X_1 and X_2 are distinct. \square

Theorem 4. *Let $E = \text{FEISTEL}^\nu[n]$ where $\nu = 3r$. Then $\text{Adv}_E^{\text{n CPA}}(q) \leq \frac{q}{r+1} (4q / 2^n)^r$.*

Proof. Suppose that E receives non-adaptive distinct queries X_1, \dots, X_q . For each $\ell \leq q$, consider a vector of queries (Z_1, \dots, Z_q) such that Z_i is X_i if $i \leq \ell$ and Z_i is chosen uniformly from $\{0, 1\}^{2n} \setminus \{Z_1, \dots, Z_{i-1}\}$ otherwise. Let μ_ℓ be the distribution of the vector of q outputs when E receives queries Z_1, \dots, Z_q . We will show in a moment that the total variation distance between μ_ℓ and $\mu_{\ell+1}$ is at most $(4\ell / 2^n)^r$ for every $\ell \leq q-1$. Assuming this, we have, by hybrid argument,

$$\text{Adv}_E^{\text{n CPA}}(q) \leq \sum_{\ell=0}^{q-1} \|\mu_\ell - \mu_{\ell+1}\| \leq \sum_{\ell=0}^{q-1} (4\ell / 2^n)^r \leq 2^{r(2-n)} \int_0^q x^r dx = \frac{q}{r+1} (4q / 2^n)^r .$$

Now we show the claim. Fix a value $\ell \leq q-1$. We must bound the total variation distance between μ_ℓ and $\mu_{\ell+1}$, each of them is a distribution of a vector of q outputs. However, only the first $\ell+1$ components of the vector matter, because of the uniform sampling of the other. Consider a $3r$ -round balanced Feistel network on n bits that receives queries $X_1, \dots, X_{\ell+1}$. Let $X_i(t)$ be the output at round t from the query X_i .

THE COUPLING. We construct another $3r$ -round balanced Feistel network on n bits with its non-adaptive distinct queries $U_1, \dots, U_{\ell+1}$. Let $U_i(t)$ be the output at round t of the new Feistel network on input U_i . The construction of the new Feistel network will satisfy the following conditions:

- Query U_j equals to X_j for every $j \leq \ell$, and $U_{\ell+1}$ is uniformly chosen over $\{0, 1\}^{2n} \setminus \{U_1, \dots, U_\ell\}$.
- If for all $i \leq \ell+1$, the outputs at round t of X_i and U_i are identical then so are their outputs in any subsequent round.

Let T be the smallest round for which X_i and U_i have identical outputs for every $i \leq \ell+1$. From the second condition above and from Lemma 1, we have that

$$\|\mu_\ell - \mu_{\ell+1}\| \leq \Pr[X_i(3r) \neq U_i(3r) \text{ for some } i \leq \ell+1] = \Pr[T > 3r] .$$

Now the first condition above describes how to initialize $U_1(0), \dots, U_{\ell+1}(0)$. As the coin of U_i at round $t + 1$ dictates how to update $U_i(t + 1)$ from $U_i(t)$, it suffices to show how to construct just that coin.

- If U_i collides with some previous query U_j at time t then the coin at round $t + 1$ of U_i is defined so as to ensure consistency with the earlier query.
- Suppose that, in the new Feistel network, U_i does not collide with any previous query at time t . If the query X_i collides with some previous query X_j at time t then we choose a string uniformly from $\{0, 1\}^n$ to be the coin of U_i at round $t + 1$. Otherwise, the coin of X_i at round $t + 1$ is uniformly distributed over $\{0, 1\}^n$ and U_i will use exactly the same coin at round $t + 1$.

Note that U_i and X_i always have the same output at round t , for every $i \leq \ell$ and every t . Consider the event **Coll** that in either Feistel networks, the $(\ell + 1)$ -th query collides with some previous query at some time $t \in \{1, 2\}$. From Corollary 3, each such collision occurs with probability at most 2^{-n} . Summing over the two Feistel networks, two rounds, and ℓ previous queries shows that the probability **Coll** occurs is at most $4\ell / 2^n$. Unless **Coll** occurs, $U_{\ell+1}$ and $X_{\ell+1}$ will share the coins at the second and third rounds, and then have identical outputs at the third round. Hence $\Pr[T > 3] \leq \Pr[\text{Coll}]$, which is at most $4\ell / 2^n$.

Now imagine that we run a sequence of trials. In each trial, we observe the outputs of $X_{\ell+1}$ and $U_{\ell+1}$ for an additional three rounds. The probability that $X_{\ell+1}$ and $U_{\ell+1}$ have different outputs after the first trial is at most $4\ell / 2^n$. Since the round functions of both Feistel networks in each trial are independent with those in previous trials, the conditional probability that $X_{\ell+1}$ and $U_{\ell+1}$ have different outputs after the r -th trial, given that their outputs remain different after the first $r - 1$ trials, is again at most $4\ell / 2^n$. Hence $\Pr[T > 3r] \leq (4\ell / 2^n)^r$. \square

CCA-SECURITY. Let **Rev** denote the permutation on $\{0, 1\}^{2n}$ where $\text{Rev}(A, B) = (B, A)$, for $|A| = |B| = n$. The following observation is standard; see [13] for proof.

Lemma 5 *If F and G are the blockcipher $\text{FEISTEL}^\nu[n]$ then $F \circ G^{-1} \circ \text{Rev}$ is the blockcipher $\text{FEISTEL}^{2\nu-1}[n]$.* \square

Employing Lemma 2 we conclude the following.

Theorem 6. *Let $E = \text{FEISTEL}^\nu[n]$ where $\nu = 6r - 1$. Then $\mathbf{Adv}_E^{\text{cca}}(q) \leq \frac{2q}{r+1} (4q / 2^n)^r$.*

ASYMPTOTIC INTERPRETATION. For an asymptotic interpretation of Theorem 6, fix $r > 0$. Suppose that $q = 2^{n(1-1/r)}$. Let E_n be the blockcipher $\text{FEISTEL}^{6r-1}[n]$. Then

$$\mathbf{Adv}_{E_n}^{\text{cca}}(q) \leq \frac{2q}{r+1} (4q / 2^n)^r = \frac{2^{2r+1}}{r+1} / 2^{n/r},$$

which goes to 0 as $n \rightarrow \infty$. Translating into English, CCA security is guaranteed to about $q = 2^{n(1-\varepsilon)}$ adversarial queries as long as one employs $\nu \geq 6/\varepsilon - 1$ rounds. At a higher level still, ignoring the $1 - \varepsilon$ multiplier in the exponent, an appropriate number of rounds lets one tolerate nearly $q = 2^n$ adversarial queries.

COMPARISONS. Maurer and Pietrzak's earlier work proves a security bound of $\mathbf{Adv}_E^{\text{cca}}(q) \leq 4q^2 / 2^{2n} + 2q(8q / 2^n)^r$ for $E = \text{FEISTEL}^{6r-1}[n]$. Our own bound is always tighter than this; see Fig. 3 for a comparison of Theorem 6 and MP's bound. Earlier versions of our paper explained

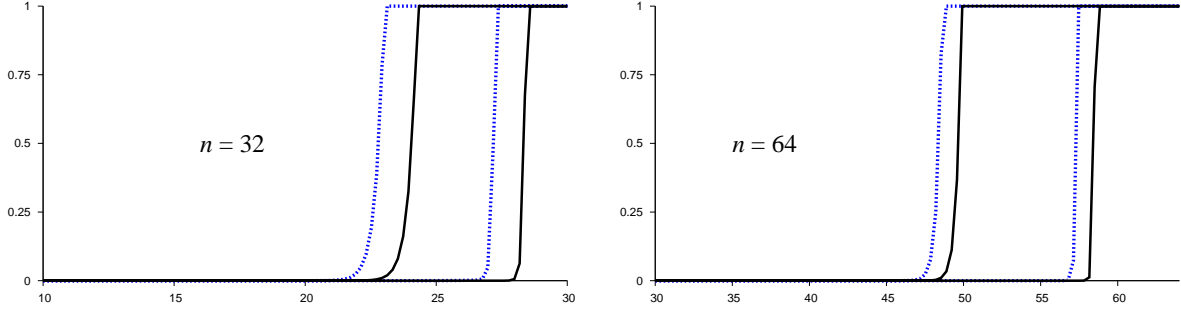


Fig. 3. Proven CCA-security for the classical Feistel network: our own bounds and MP's. The x -axis gives the log base-2 of the number of adversarial queries and the y -axis gives upper bounds on an adversary's CCA advantage. In the left-hand plot (64-bit inputs), the dashed lines depict MP's bounds for FEISTEL²⁴[32] (left) and FEISTEL⁹⁶[32] (right); the solid lines depict our own. In the right-hand plot (128-bit inputs), the dashed lines likewise depict MP's bounds for FEISTEL²⁴[64] (left) and FEISTEL⁹⁶[64] (right); the solid lines depict our own.

that we were unable to plot Patarin's latest bounds [26] due to the absence of a concrete security statement. In very recent work [25] (subsequent to our own), Patarin bounds the security of $E = \text{FEISTEL}^6[n]$ by $\mathbf{Adv}_E^{\text{cca}}(q) \leq 8q/2^n + q^2/2^{2n+1}$ (assuming $q \leq 2^n/128n$).

4 Unbalanced Feistel

DEFINING THE SCHEME. Fix $n, m \geq 1$ and let $F: \{0, 1\}^n \rightarrow \{0, 1\}^m$ be a function. Define from F the permutation $\Psi_F: \{0, 1\}^{m+n} \rightarrow \{0, 1\}^{m+n}$ by way of $\Psi_F(A, B) = (B, A \oplus F(B))$ where $|A| = m$ and $|B| = n$, and \oplus denotes xor. We call Ψ_F a Feistel (m, n) -permutation and F its round function. Blockcipher Feistel ^{ν} $[m, n]: \mathcal{K} \times \{0, 1\}^{m+n} \rightarrow \{0, 1\}^{m+n}$ has key space $\mathcal{K} = (\text{Func}(m, n))^\nu$ and a key $(F_1, \dots, F_\nu) \in \mathcal{K}$ names the permutation $\Psi_{F_1} \circ \dots \circ \Psi_{F_\nu}$ on $\{0, 1\}^{m+n}$. For an illustration, see Fig. 1.

SECURITY OF UNBALANCED FEISTEL SCHEMES. The theorem below shows the CCA-security of Feistel ^{ν} $[m, n]$. The proof can be found in Appendix A. Interpreted asymptotically, the result says that, with an adequate number of rounds, CCA security is guaranteed to about 2^n adversarial queries. Note that for *expanding* round functions this guarantee eventually becomes meaningless. This is as it should be; expanding round functions with small domains give rise to information-theoretically insecure schemes.

Theorem 7. Fix integers $m, n, r \geq 1$.

- 1) Let $E = \text{Feistel}^\nu[m, n]$ where $n > m$ and $\nu = r(4\lceil n/m \rceil + 4)$.
Then $\mathbf{Adv}_E^{\text{cca}}(q) \leq \frac{2q}{r+1} ((3\lceil n/m \rceil + 3)q / 2^n)^r$.
- 2) Let $E = \text{Feistel}^\nu[m, n]$ where $n \leq m$ and $\nu = r(2\lceil m/n \rceil + 4)$.
Then $\mathbf{Adv}_E^{\text{cca}}(q) \leq \frac{2q}{r+1} (4\lceil m/n \rceil q / 2^n)^r$.

NON-BINARY ALPHABETS. We can replace the binary alphabet $\{0, 1\}$ in an unbalanced Feistel scheme with an arbitrary alphabet Σ where $d = |\Sigma| \geq 2$. Regard the characters as numbers $\{0, 1, \dots, d-1\}$ and reinterpret \oplus either as integer addition modulo d^m or as characterwise addition

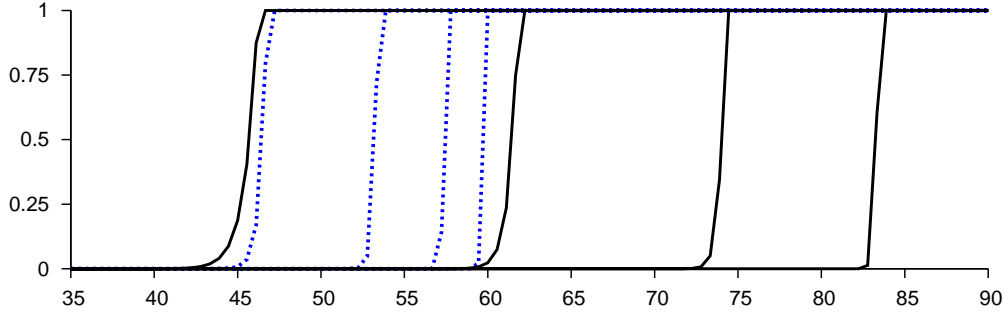


Fig. 4. Unbalanced Feistel versus classical Feistel on a 128-bit string. Proven CCA-security of Feistel ^{ν} [32, 96] (bold lines) versus Feistel ^{ν} [64, 64] = FEISTEL ^{ν} [64] (dashed lines) when ν is 18, 36, 72, and 144 (the curves from left to right). The x -axis gives the log base-2 of the number of queries; the y -axis gives an upper bound on an adversary's CCA advantage by Theorems 6 and 7.

modulo d . The analysis associated to Theorem 7 is trivially lifted to this setting; for example, if $E = \text{Feistel}_d^\nu[m, n]$, the radix of the alphabet indicated by the subscript, with $n > m$ and $\nu = r(4\lceil n/m \rceil + 4)$, then $\mathbf{Adv}_E^{\text{cca}}(q) \leq \frac{2q}{r+1} ((3\lceil n/m \rceil + 3)q / d^m)^r$. We comment that our proof for part (1) of Theorem 7 works for any group operator on Σ^m , but our proof for part (2) does not.

GRAPHICAL ILLUSTRATION. Fig. 4 illustrates our CCA-security bounds for Feistel ^{ν} [32, 96] versus Feistel ^{ν} [64, 64]. Given an adequate number of rounds, imbalance helps. The same point is illustrated differently in Appendix E, Fig. 7; when rounds are scarce, balanced-Feistel wins; but as rounds become more plentiful, imbalance becomes increasingly helpful for good bounds.

UNBALANCED NUMERIC FEISTEL. We now go on to show security for the numeric variant of the unbalanced Feistel scheme. We begin by defining this. Let $M \geq 2$ and $N \geq 2$ be numbers and let F have signature $F: \mathbb{Z}_N \rightarrow \mathbb{Z}_M$. Let $\boxplus: \mathbb{Z}_M \times \mathbb{Z}_M \rightarrow \mathbb{Z}_M$ represent addition modulo M , that is, $a \boxplus b = (a + b) \bmod M$. Consider the permutation $\Psi_F: \mathbb{Z}_{MN} \rightarrow \mathbb{Z}_{MN}$ that maps $Na + b$ to $Mb + (a \boxplus F(b))$ for every $(a, b) \in \mathbb{Z}_M \times \mathbb{Z}_N$. We call Ψ_F a numeric Feistel (M, N) -permutation and F its round function. Blockcipher Feistel _{\boxplus} ^{ν} $[M, N]: \mathcal{K} \times \mathbb{Z}_{MN} \rightarrow \mathbb{Z}_{MN}$ has key space $(\text{Func}(\mathbb{Z}_N, \mathbb{Z}_M))^\nu$. A key $(F_1, \dots, F_\nu) \in \mathcal{K}$ names the permutation $\Psi_{F_1} \circ \dots \circ \Psi_{F_\nu}$ on \mathbb{Z}_{MN} , permutations composing from the left. For an illustration, see Fig. 1.

SECURITY OF NUMERIC FEISTEL SCHEMES. The following theorem establishes CCA-security for Feistel _{\boxplus} . Interpreted asymptotically, the result implies that, with an adequate number of rounds, unbalanced numeric Feistel with a $\mathbb{Z}_N \rightarrow \mathbb{Z}_M$ round function withstands a chosen-ciphertext attack to nearly N queries.

Theorem 8. Fix $M, N \geq 2$, $r \geq 1$.

- 1) Let $E = \text{Feistel}_{\boxplus}^\nu[M, N]$ where $N > M$ and $\nu = r(6 \lceil \log_M N \rceil + 4)$.
Then $\mathbf{Adv}_E^{\text{cca}}(q) \leq \frac{2q}{r+1} ((9 \lceil \log_M N \rceil + 5)q / N)^r$.
- 2) Let $E = \text{Feistel}_{\boxplus}^\nu[M, N]$ where $N \leq M$ and $\nu = r(2 \lceil \log_N M \rceil + 6)$.
Then $\mathbf{Adv}_E^{\text{cca}}(q) \leq \frac{2q}{r+1} ((7 \lceil \log_N M \rceil + 7)q / N)^r$.

PROOF IDEAS. Let us briefly give an overview of the proof; see Appendix B for the complete proof. We begin by extending the concepts of *coin* and *collision* of Section 3. The coupling method in Section 3 requires that every pair of queries share coins at each round, if possible. But this does not work here because if M and N are relatively prime, we may find two deterministic queries that *never* yield the same output under such a coupling strategy. Instead, think of coupling as a computer program trying to produce the same output for two different inputs by manipulating the coins. The program first creates a rule for coin-renaming. For example, suppose that each Feistel network is programmed to create a sequence of uniformly random, independent coins. The rule will map each possible value of the random sequence in the first network to a *unique* value of the corresponding sequence in the second network. The program then runs the first input. Now, knowing the exact value of the sequence of coins in the first network, it runs the second input and uses the rule above to specify how the coins of the second network are created. The uniqueness property is to ensure that the round functions in the second network are independent and uniformly random.

5 Alternating Feistel

DEFINING THE SCHEMES. Let m and n be positive integers such that $m \leq n$. The blockcipher $\text{FeIsTeL}^\nu[m, n]: \mathcal{K} \times \{0, 1\}^{m+n} \rightarrow \{0, 1\}^{m+n}$ consists of ν rounds in which the odd rounds are Feistel (m, n) -permutations (contracting) and the even rounds are Feistel (n, m) -permutations (expanding). For simplicity, we assume that ν is even. The key space of $\text{FeIsTeL}^\nu[m, n]$ is then $\mathcal{K} = (\text{Func}(n, m) \times \text{Func}(m, n))^{\nu/2}$. Given integers M and N such that $2 \leq M \leq N$, we define the blockcipher $\text{FeIsTeL}_\#^\nu[M, N]: \mathcal{K} \times \mathbb{Z}_{MN} \rightarrow \mathbb{Z}_{MN}$, with numeric Feistel (M, N) permutations at odd rounds and numeric Feistel (N, M) permutations at even rounds. See Fig. 1 for illustration. We comment that it does not much matter whether one starts with a contracting or expanding round because a security bound with respect to one notion implies the same security bound with respect to the other after one additional round.

SECURITY OF ALTERNATING FEISTEL SCHEMES. The information-theoretic security of blockciphers FeIsTeL and $\text{FeIsTeL}_\#$ are established by the following results. Interpreted asymptotically, the result says that, with an adequate number of rounds, alternating Feistel can withstand a chosen-ciphertext attack to nearly N adversarial queries.

Theorem 9. *Fix $r > 0$, $1 \leq m \leq n$, and $2 \leq M \leq N$.*

- 1) *Let $E = \text{FeIsTeL}^\nu[m, n]$ where $\nu = r(12 \lceil n/m \rceil + 8)$.
Then $\text{Adv}_E^{\text{cca}}(q) \leq \frac{2q}{r+1} ((6 \lceil n/m \rceil + 3)q / 2^n)^r$.*
- 2) *Let $E = \text{FeIsTeL}_\#^\nu[M, N]$ where $\nu = r(12 \lceil \log_M N \rceil + 8)$.
Then $\text{Adv}_E^{\text{cca}}(q) \leq \frac{2q}{r+1} ((6 \lceil \log_M N \rceil + 3)q / N)^r$.*

PROOF IDEAS. We give an overview; see Appendix C for all details. We consider the generalization of $\text{FeIsTeL}_\#$ in which the operator \boxplus is replaced by any two group operators on \mathbb{Z}_M and \mathbb{Z}_N , regarding FeIsTeL as a special case. While we still follow the framework of Section 3, extending the concepts of *coin* and *collision* is tricky. Following the birthday-bound proof of Black and Rogaway [3] and using the simple coupling method for classical Feistel, one may be tempted to define two types of coins, one for odd rounds and one for even rounds; and, likewise, two types of collisions. This will

indeed give rise to a bound, which however falls off with $\min(N, M)$ queries instead of $\max(N, M)$ queries; that is, the approach is only good in the nearly-balanced setting. Instead, we define coins only at odd rounds, and collisions only at even rounds.

We are left with the task of coupling two pools of queries. Coins alone cannot completely determine the outputs, because they dictate only the randomness at odd rounds. However, if we require that the two pools use the same expanding round functions (that control the randomness at even rounds), it suffices to specify how coins evolve. While some specific choice of expanding round functions may give us a poor chance of coupling, the expected value of the success probability is good when those functions are uniformly chosen.

6 Type-1, Type-2, and Type-3 Feistel

DEFINING THE SCHEMES. For illustrations, refer again to Fig. 1.

- 1) Fix $k \geq 2$ and $n \geq 1$, and let $F: \{0, 1\}^n \rightarrow \{0, 1\}^n$ name a permutation $\Psi_F: \{0, 1\}^{kn} \rightarrow \{0, 1\}^{kn}$ by way of setting $\Psi_F(B_1, \dots, B_k) = (B_2 \oplus F(B_1), B_3, \dots, B_k, B_1)$, where $|B_i| = n$. Then $\text{Feistel}1^\nu[k, n]: \mathcal{K} \times \{0, 1\}^{kn} \rightarrow \{0, 1\}^{kn}$ is the blockcipher obtained by the ν -fold composition of Ψ_F permutations, the key space being $\mathcal{K} = (\text{Func}(n, n))^\nu$.
- 2) Assume $k \geq 2$ is even, $n \geq 1$, and $f_i: \{0, 1\}^n \rightarrow \{0, 1\}^n$ for every $i \leq k/2$. Let $F = (f_1, \dots, f_{k/2})$ name a permutation $\Psi_F: \{0, 1\}^{kn} \rightarrow \{0, 1\}^{kn}$ by $\Psi_F(B_1, \dots, B_k) = (B_2 \oplus f_1(B_1), B_3, B_4 \oplus f_2(B_3), B_5, \dots, B_k \oplus f_{k/2}(B_{k-1}), B_1)$ where $|B_i| = n$. Then the blockcipher $\text{Feistel}2^\nu[k, n]: \mathcal{K} \times \{0, 1\}^{kn} \rightarrow \{0, 1\}^{kn}$ is obtained by the ν -fold composition of Ψ_F permutations, the key space being $\mathcal{K} = (\text{Func}(n, n))^{k\nu/2}$.
- 3) Finally, with $k \geq 2$ and $n \geq 1$, consider $f_i: \{0, 1\}^n \rightarrow \{0, 1\}^n$ for every $i \leq k-1$. Let $F = (f_1, \dots, f_{k-1})$ name a permutation $\Psi_F: \{0, 1\}^{kn} \rightarrow \{0, 1\}^{kn}$ by way of $\Psi_F(B_1, \dots, B_k) = (B_2 \oplus f_1(B_1), B_3 \oplus f_2(B_2), \dots, B_k \oplus f_{k-1}(B_{k-1}), B_1)$, where $|B_i| = n$. Then $\text{Feistel}3^\nu[k, n]: \mathcal{K} \times \{0, 1\}^{kn} \rightarrow \{0, 1\}^{kn}$ is the blockcipher obtained by the ν -fold composition of Ψ_F permutations, the key space being $\mathcal{K} = (\text{Func}(n, n))^{(k-1)\nu}$.

SECURITY RESULTS. The following results show CCA-security of type-1, type-2, type-3 Feistel variants to $2^{n(1-\varepsilon)}$ queries. Of course this may be a disappointing bound when n is small—and the type- i Feistel variants are in part motivated by a desire to keep n small despite a long block length. But the bound is the best possible, up to the asymptotic behavior, and substantially improves the prior bound in the literature [35].

Theorem 10. *Fix $k, r \geq 1$.*

- (1) *Let $E = \text{Feistel}1^\nu[k, n]$ and $\nu = r(4k - 2)$. Then $\mathbf{Adv}_E^{\text{cca}}(q) \leq \frac{2q}{r+1} (2k(k-1)q / 2^n)^r$.*
- (2) *Let $E = \text{Feistel}2^\nu[k, n]$ with $\nu = r(2k + 2)$. Then $\mathbf{Adv}_E^{\text{cca}}(q) \leq \frac{2q}{r+1} (2k(k-1)q / 2^n)^r$.*
- (3) *Let $E = \text{Feistel}3^\nu[k, n]$ with $\nu = r(2k + 2)$. Then $\mathbf{Adv}_E^{\text{cca}}(q) \leq \frac{2q}{r+1} (4(k-1)^2 q / 2^n)^r$.*

The proofs for the results above can be found in Appendix D.

Acknowledgments

The authors gratefully acknowledge the support of NSF grant 0904380. Thanks particularly to program directors Richard Beigel and Lenore Zuck.

References

1. R. Anderson and E. Biham. Two practical and provably secure block ciphers: BEAR and LION. *Fast Software Encryption 1996*, LNCS 1039, Springer, pp. 113–120, 1996.
2. M. Bellare, P. Rogaway, and T. Spies. The FFX mode of operation for format-preserving encryption (draft 1.1). NIST submission, February 2010. http://csrc.nist.gov/groups/ST/toolkit/BCM/modes_development.html.
3. J. Black and P. Rogaway. Ciphers with arbitrary finite domains. *CT-RSA 2002*, LNCS 2271, Springer, pp. 114–130, 2002.
4. M. Bellare, T. Ristenpart, P. Rogaway, and T. Stegers. Format-preserving encryption. *SAC 2009*. LNCS 5867, Springer, 2009.
5. M. Brightwell and H. Smith. Using datatype-preserving encryption to enhance data warehouse security. *20th NISSC Proceedings*, pp. 141–149, 1997. Available at <http://csrc.nist.gov/nissc/1997>.
6. D. Coppersmith. Luby-Rackoff: four rounds is not enough. Technical Report RC 20674, IBM, December 1996.
7. H. Feistel, W. Notz, and J. Smith. Some cryptographic techniques for machine-to-machine data communications. *Proc. of the IEEE*, 63, pp. 1545–1554, 1975.
8. V. Hoang and P. Rogaway. On generalized Feistel networks. Conference version of this paper. *CRYPTO 2010*, Springer, 2010.
9. C. Jutla. Generalized birthday attacks on unbalanced Feistel networks. *CRYPTO 1998*, LNCS 1462, Springer, pp. 186–199, 1998.
10. M. Luby and C. Rackoff. How to construct pseudorandom permutations from pseudorandom functions. *SIAM Journal on Computing*, 17(2), pp. 373–386, 1988. Earlier version in *CRYPTO 1985*.
11. S. Lucks. Faster Luby-Rackoff ciphers. *Fast Software Encryption 1996*, LNCS 1039, Springer, pp. 189–203, 1996.
12. U. Maurer. A simplified and generalized treatment of Luby-Rackoff pseudorandom permutation generator. *EUROCRYPT 1992*, LNCS 658, Springer, pp. 239–255, 1993.
13. U. Maurer and K. Pietrzak. The security of many-round Luby-Rackoff pseudo-random permutations. *EUROCRYPT 2003*, LNCS 2656, Springer, pp. 544–561, 2003.
14. U. Maurer, K. Pietrzak, and R. Renner. Indistinguishability amplification. *CRYPTO 2007*, LNCS 4622, Springer, pp. 130–149, 2007.
15. I. Mirinov. (Not so) random shuffles of RC4. *CRYPTO 2002*, LNCS 2442, Springer, pp. 304–319, 2002.
16. S. Moriai and S. Vaudenay. On the pseudorandomness of top-level schemes of block ciphers. *ASIACRYPT 2000*, LNCS 1976, Springer, pp. 289–302, 2000.
17. B. Morris, P. Rogaway, and T. Stegers. How to encipher messages on a small domain: deterministic encryption and the Thorp shuffle. *CRYPTO 2009*, LNCS 5677, Springer, pp. 286–302.
18. V. Nachev. Generic attacks on alternating unbalanced Feistel schemes. Cryptology ePrint report 2009/287. June 16, 2009.
19. M. Naor and O. Reingold. On the construction of pseudo-random permutations: Luby-Rackoff revisited. *Journal of Cryptology*, 12(1), Springer, pp. 29–66, 1997.
20. K. Nyberg. Generalized Feistel networks. *ASIACRYPT 1996*, LNCS 1163, 1996.
21. J. Patarin. About Feistel schemes with six (or more) rounds. *FSE 1998*, LNCS 1372, Springer, pp. 103–121, 1998.
22. J. Patarin. Generic attacks on Feistel schemes. *ASIACRYPT 2001*, LNCS 2248, Springer, pp. 222–238, 2001.
23. J. Patarin. Luby-Rackoff: 7 Rounds are enough for $2^{n-\epsilon}$ security. *CRYPTO 2003*, LNCS 2729, Springer, pp. 513–529, 2003.
24. J. Patarin. New results on pseudorandom permutation generators based on the DES scheme. *CRYPTO 1991*, LNCS 576, Springer, pp. 301–312, 1992.
25. J. Patarin. Security of balanced and unbalanced Feistel schemes with linear non equalities. Cryptology ePrint report 2010/293. May 17, 2010.
26. J. Patarin. Security of random Feistel schemes with 5 or more rounds. *CRYPTO 2004*, LNCS 3152, Springer, pp. 106–122, 2004.
27. J. Patarin, V. Nachev, and C. Berbain. Generic attacks on unbalanced Feistel schemes with contracting functions. *ASIACRYPT 2006*, LNCS 4284, Springer, pp. 396–411, 2006.

28. J. Patarin, V. Nachev, and C. Berbain. Generic attacks on unbalanced Feistel schemes with expanding functions. *ASIACRYPT 2007*, LNCS 4833, Springer, pp. 325–341, 2007.
29. PCI Security Standards Council. Payment Card Industry (PCI) Data Security Standard: Requirements and Security Assessment Procedures, version 1.2.1. July 2009. Available from www.pcisecuritystandards.org.
30. B. Schneier and J. Kelsey. Unbalanced Feistel networks and block cipher design. *Fast Software Encryption 1996*, LNCS 1039, Springer, pp. 121–144, 1996.
31. J. Smith. The design of Lucifer: a cryptographic device for data communications. IBM Research Report RC 3326, IBM T.J. Watson Research Center, Yorktown Heights, New York, USA. April 15, 1971.
32. E. Thorp. Nonrandom shuffling with applications to the game of Faro. *Journal of the American Statistical Association*, 68, pp. 842–847, 1973.
33. S. Vaudenay. Provable security for block ciphers by decorrelation. *STACS 98*, LNCS 1373, Springer, pp. 249–275, 1998.
34. A. Yun, J. Park, and J. Lee. On Lai-Massey and quasi-Feistel ciphers. *Designs, Codes and Cryptography* (Online First), 2010.
35. Y. Zheng, T. Matsumoto, and H. Imai. On the construction of block ciphers provably secure and not relying on any unproved hypotheses. *CRYPTO '89*, LNCS 435, Springer, pp. 461–480, 1990.

A Proof for Unbalanced Feistel — Theorem 7

Given a query X to $\text{Feistel}^{\mathcal{L}}[m, n]$, its *coin* at round t is the string $A \oplus F(B)$, where F is the round function at round t and (A, B) is the round- $(t-1)$ output, with $|A| = m$ and $|B| = n$. We say that two queries *collide* at time t if their outputs at round t have the same last n bits. We begin with the following.

Lemma 11 *In the blockcipher $\text{Feistel}^{\mathcal{L}}[m, n]$, the chance that two distinct non-adaptive queries have the same coin at round $t \geq 1$ is at most 2^{-m} .*

Proof. Suppose that the Feistel network receives distinct non-adaptive queries X_1 and X_2 . For each $i \in \{1, 2\}$, let (A_i, B_i) be the output at round $t-1$ of X_i , where $|A_i| = m$ and $|B_i| = n$. The queries X_1 and X_2 collide at time t if and only if $A_1 \oplus F(B_1) = A_2 \oplus F(B_2)$, with F being the round function at round t . This occurs with probability 2^{-m} if B_1 and B_2 differ, because F is uniformly random. If $B_1 = B_2$ then so are A_1 and A_2 , which contradicts the hypothesis that the two queries are distinct. \square

CONTRACTING ROUND FUNCTIONS. We first consider the security of the blockcipher $\text{Feistel}^{\mathcal{L}}[m, n]$ with $n > m$ (that is, the round functions are contracting). Later we show how to deal with expanding round functions.

Lemma 12 *In the blockcipher $\text{Feistel}^{\mathcal{L}}[m, n]$ with $n > m$, the chance that two distinct non-adaptive queries collide at time $t > \lceil n/m \rceil$ is at most $3/2^{n+1}$.*

Proof. Suppose that the Feistel network receives distinct non-adaptive queries X_1 and X_2 . We shall prove by induction on b that for any $b \leq n$, the probability that outputs at round $t > \lceil b/m \rceil$ of the two queries have the same last b bits is at most $3/2^{b+1}$. The claim of this lemma corresponds to the special case $b = n$.

First consider the base case $b < m$. For each $i \in \{1, 2\}$, let (A_i, B_i) be the output at round $t-1$ of X_i , where $|A_i| = m$ and $|B_i| = n$. The last m -bit substring of the round- t output of X_i is $A_i \oplus F(B_i)$, with F being the round function at round t . If B_1 and B_2 differ then the probability

that outputs at round t of the two queries have the same last b bits is at most 2^{-b} , because F is uniformly random. If $B_1 = B_2$ then the two queries have the same coin at round $t - 1$, which by Lemma 11 occurs with probability at most 2^{-m} . Hence, by union bound, the chance that the two queries have the same last b bits is at most $2^{-b} + 2^{-m} \leq 3/2^{b+1}$.

Next consider $b \geq m$ and assume that the chance round- $(t - 1)$ outputs of the two queries have the same last $b - m$ bits is at most $3/2^{b-m+1}$. The outputs at round t of the two queries have the same last b bits if and only if (i) they have the same coin at round t , which by Lemma 11 occurs with probability at most 2^{-m} , and (ii) their output at round $t-1$ have the same last $b-m$ bits, which occurs with probability at most $3/2^{b-m+1}$ by induction hypothesis. As the round functions in the network are independent, the chance that both (i) and (ii) occur is at most $2^{-m} \cdot 3/2^{b-m+1} = 3/2^{b+1}$. \square

We now prove NCPA-security of $\text{Feistel}^{r(2^{\lceil n/m \rceil + 2})}[m, n]$. Employing Lemma 2 then yields the desired result. Let $b = \lceil n/m \rceil + 1$. Suppose that the network receives nonadaptive distinct queries X_1, \dots, X_q . We shall use a similar strategy as in the proof of Theorem 4. Fix an integer $\ell \leq q - 1$. For every $i \leq \ell$, let $U_i = X_i$ and let $U_{\ell+1}$ be chosen uniformly from $\{0, 1\}^{n+m} \setminus \{U_1, \dots, U_\ell\}$. We shall construct another $\text{Feistel}^{2rb}[m, n]$ for the queries U_1, \dots, U_ℓ . Let $X_i(t)$ and $U_i(t)$ be the outputs at round t of X_i and U_i respectively. It suffices to define the coupling in the first $2b$ rounds, and then show that the probability that $X_i(2b) \neq U_i(2b)$ for some $i \leq \ell + 1$ is at most $3b\ell / 2^n$.

THE COUPLING. In the first b rounds, for every $i \leq \ell$, we use the same coin to update $X_i(t)$ and $U_i(t)$, and couple $X_{\ell+1}(t)$ and $U_{\ell+1}(t)$ in an arbitrary way. In the next b rounds, we couple as follows.

- If U_i collides with some previous query U_j at time t then the coin at round $t + 1$ of U_i is defined so as to ensure consistency with the earlier query.
- Suppose that, in the new Feistel network, U_i does not collide with any previous query at time t . If the query X_i collides with some previous query X_j at time t then we choose a string uniformly from $\{0, 1\}^{n+m}$ to be the coin of U_i at round $t + 1$. Otherwise, the coin of X_i at round $t + 1$ is uniformly distributed over $\{0, 1\}^{n+m}$ and U_i will use exactly the same coin at round $t + 1$.

Note that U_i and X_i always have the same output at round t , for every $i \leq \ell$ and every t . Consider the event **Coll** that in either Feistel networks, the $(\ell + 1)$ -th query collides with some previous query at some time $t \in \{b, \dots, 2b - 1\}$. From Lemma 12, each such collision occurs with probability at most $3/2^{n+1}$. Summing over the two Feistel networks, b rounds, and ℓ previous queries shows that the probability **Coll** occurs is at most $3b\ell / 2^n$. Unless **Coll** occurs, $U_{\ell+1}$ and $X_{\ell+1}$ will share the coins at the rounds $b + 1, \dots, 2b$, and then have identical outputs at the round $2b$. Hence the chance that we fail to couple at round $2b$ cannot exceed $3b\ell / 2^n$.

EXPANDING ROUND FUNCTIONS. We follow the same proof as before, but Lemma 12 is replaced by the following result.

Lemma 13 *In the blockcipher $\text{Feistel}^n[m, n]$ with $n \leq m$, the chance that two distinct non-adaptive queries collide at time $t \geq \lceil m/n \rceil$ is at most $\lceil m/n \rceil / 2^n$.*

Proof. Suppose that the Feistel network receives distinct non-adaptive queries X_1 and X_2 . For each $i \in \{1, 2\}$, let (A_i, B_i) be the output at round $t - 1$ of X_i , where $|A_i| = m$ and $|B_i| = n$. The queries X_1 and X_2 collide at time t if and only if the two strings $A_1 \oplus F(B_1)$ and $A_2 \oplus F(B_2)$ have the same

last n bits, with F being the round function at round t . This occurs with probability 2^{-n} if B_1 and B_2 differ, because F is uniformly random. If $B_1 = B_2$ then A_1 and A_2 must have the same last n bits. In other words, the round- $(t-1)$ outputs of the two queries must agree at the last $2n$ bits. Repeating this argument leads us to examine the case that for every $j < \lceil m/n \rceil$ the round- $(t-j)$ outputs of the two queries must agree at the last $(j+1)n$ bits. When this chain of reasoning stops at round $t - \lceil m/n \rceil + 1$, the outputs at that round must have the same last m bits. In other words, the queries have the same coin at that round, which by Lemma 11 occurs with probability at most $2^{-m} \leq 2^{-n}$. Hence by union bound, the chance that the two queries collide at time t is at most $\lceil m/n \rceil / 2^n$. \square

B Proof for Unbalanced Numeric Feistel — Theorem 8

Given a query to the blockcipher $\text{Feistel}_\#^{\mathcal{L}}[M, N]$, its *coin* at round t is the number $a \boxplus F(b)$, where F is the round function at round t and $aN + b$ is the output at round $t-1$. We say that two queries x and x^* *collide* at time t if $y \equiv y^* \pmod{N}$, with y and y^* being the outputs at round t of x and x^* respectively. For any sequence of coins $C = (c_1, \dots, c_b)$, let $\langle C \rangle_M$ be the base- M number represented by the digits c_1, \dots, c_b , with c_1 as the most significant digit. More precisely,

$$\langle C \rangle_M = \langle c_1, \dots, c_b \rangle_M = \sum_{i=1}^b M^{b-i} c_i .$$

Consider the encryption of a number x by $\text{Feistel}_\#^{\mathcal{L}}[M, N]$ in which c_i is the coin of x at round i . By induction of b , we can prove that the round- b output of x is $xM^b + \langle c_1, \dots, c_b \rangle_M \pmod{NM}$. Two technical results below are needed; the first is the well-known rearrangement inequality.

Lemma 14 (Rearrangement inequality) *Let x_1, \dots, x_p be real numbers and let (y_1, \dots, y_p) be a permutation of (x_1, \dots, x_p) . Then $\sum_{i=1}^p x_i y_i \leq \sum_{i=1}^p x_i^2$.*

Lemma 15 *Fix $m, n \geq 2$. Let x, x^* be fixed integers and let $c, c^* \stackrel{\$}{\leftarrow} \mathbb{Z}_m$ independently. Then the chance that $x + c \equiv x^* + c^* \pmod{n}$ is at most $9/(8n)$ if $m > n$, and at most $1/m$ if $m \leq n$.*

Proof. Let p_i and p_i^* be the probability that $x+c$ and x^*+c^* take value i respectively. Let $m = an + s$, with $s \in \mathbb{Z}_n$. Note that exactly s components of $(p_i)_{i \in \mathbb{Z}_N}$ are $(a+1)/m$ while the others are a/m , and the similar claim holds for $(p_i^*)_{i \in \mathbb{Z}_N}$. Hence the chance that $x + c \equiv x^* + c^* \pmod{n}$ is

$$\sum_{i \in \mathbb{Z}_N} p_i \cdot p_i^* \leq \sum_{i \in \mathbb{Z}_N} p_i^2 = s(a+1)^2 / m^2 + (n-s)a^2 / m^2, \quad (1)$$

which is exactly $1/m$ if $m \leq n$; the inequality is due to the rearrangement inequality. On the other hand, if $m > n$ then by simple algebraic manipulations, the right side of (1) can be simplified as

$$1/n + \frac{s - s^2/n}{(an + s)^2} \leq 1/n + \frac{s - s^2/n}{(n + s)^2} = \frac{9}{8n} - \frac{(n - 3s)^2}{8n(s + n)^2} \leq \frac{9}{8n} . \quad \square$$

CONTRACTING ROUND FUNCTIONS. We first consider the security of the blockcipher $\text{Feistel}_\#^{\mathcal{L}}[M, N]$ with $N > M$ (that is, round functions are contracting), and then show how to deal with expanding round functions later. Let us start with a simple fact of $\text{Feistel}_\#^{\mathcal{L}}[M, N]$.

Lemma 16 *In the blockcipher $\text{Feistel}_M^N[M, N]$, if two queries collide at some round then they cannot collide again within the next $\lceil \log_M N \rceil - 1$ rounds.*

Proof. We need only consider the case that two queries collide at round 0. Suppose that the network receives two queries x and x^* that collide at time 0 and then collide again at time $b \leq \lceil \log_M N \rceil - 1$. Let c_i be the coin at round i of x , and let y and y^* be the round- b outputs of x and x^* respectively. Recall that $y \equiv xM^b + \langle c_1, \dots, c_b \rangle_M \pmod{N}$. Since $\langle c_1, \dots, c_b \rangle_M$ cannot exceed $M^b < N$, the number $(y - M^b x) \bmod N$ uniquely determines the coins of x at rounds $1, \dots, b$. A similar claim holds for x^* . As x and x^* collide at time 0 and b , we have $x \equiv x^* \pmod{N}$ and $y \equiv y^* \pmod{N}$. In other words, x and x^* share the same coins in rounds $1, \dots, b$. However, because x and x^* are distinct, if they collide at time 0 then they cannot have the same coin at round 1, which is a contradiction. \square

Lemma 17 *In the blockcipher $\text{Feistel}_M^N[M, N]$ with $N > M$, the chance that two distinct non-adaptive queries collide at time $t > \lceil \log_M N \rceil$ is at most $17 / (8N)$.*

Proof. Let $b = \lceil \log_M N \rceil + 1$. We need only prove for $t = b$. Suppose that the Feistel network receives two distinct non-adaptive queries x and x^* that collide at round b . From Lemma 16, those queries cannot collide at time $2, 3, \dots, b-1$. Hence their coins at rounds $3, 4, \dots, b$ are independent and uniformly random. Let y_i and y_i^* be the outputs at round i of x and x^* respectively, and let c_i and c_i^* be the coins at round i of x and x^* respectively. We consider the following cases.

CASE 1: The queries x and x^* collide at time 1. From Lemma 16, those queries cannot collide at time 0. Hence their coins at rounds 1 are also independent and uniformly random. Since x and x^* collide at time 1, thus $Mx + c_1 \equiv Mx^* + c_1^* \pmod{N}$. By using Lemma 15, this occurs with probability at most $1 / M$ because $M \leq N$. Similarly, since x and x^* collide at time b , thus

$$M^{b-2}y_2 + \langle c_3, \dots, c_b \rangle_M \equiv M^{b-2}y_2^* + \langle c_3^*, \dots, c_b^* \rangle_M \pmod{N} .$$

Again by using Lemma 15 this occurs with probability at most M^{2-b} , because $M^{b-2} < N$. Hence the chance that the two queries collide at time 1 and b is at most $M^{1-b} \leq 1/N$.

CASE 2: The queries x and x^* do not collide at time 1. Hence their coins at rounds 2 are also independent and uniformly random. The two queries collide at time b if and only if

$$M^{b-1}y_1 + \langle c_2, \dots, c_b \rangle_M \equiv M^{b-1}y_1^* + \langle c_2^*, \dots, c_b^* \rangle_M \pmod{N} .$$

Again by Lemma 15, this occurs with probability at most $9 / (8N)$, because $M^{b-1} \geq N$.

Hence by union bound, the chance that either Case 1 or Case 2 occurs is at most $17/(8N)$. \square

The technical lemma below is needed to define the coupling.

Lemma 18 *For any two numbers x and x^* in \mathbb{Z}_{NM} and any integer $b > 0$, there exists a permutation φ on \mathbb{Z}_M^b such that if $C \xleftarrow{\$} \mathbb{Z}_M^b$ then the chance that $xM^b + \langle C \rangle_M \not\equiv x^*M^b + \langle \varphi(C) \rangle_M \pmod{NM}$ is at most N/M^{b-1} .*

Proof. Let $M^b = aNM + s$, with $s \in \mathbb{Z}_{NM}$. Sort the sequences in \mathbb{Z}_M^b by lexicographic order. Consider the set \mathcal{D} of the first aNM sequences of \mathbb{Z}_M^b . Given two queries x and x^* , we construct φ

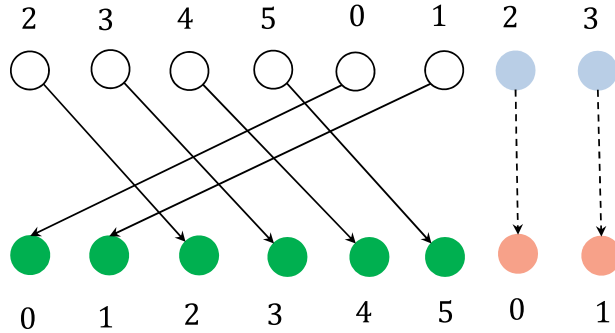


Fig. 5. Illustration for the proof of Lemma 18. In this example, $b = 3$, $M = 2$, and $N = 3$. The arrows illustrate a permutation φ over $\mathbb{Z}_M^b = \{0, 1\}^3$. From left to right, the circles (both top and bottom) represent the elements $000, 001, \dots, 111$. Each top circle C is labeled with the number $xM^b + \langle C \rangle_M \pmod{aMN}$. Each bottom circle C^* is labeled with the number $x^*M^b + \langle C^* \rangle_M \pmod{aMN}$. Our goal is to draw the arrows to maximize the number of arrows whose endpoints have the same label.

as a permutation on \mathcal{D} , and as the identity on $\mathbb{Z}_M^b \setminus \mathcal{D}$. Note that $\{xM^b + \langle C \rangle_M \mid C \in \mathcal{D}\}$ is actually the set of exactly aNM consecutive integers starting at xM^b , and the similar claim holds for x^* . For each C in \mathcal{D} , let $\varphi(C)$ be the unique sequence C^* in \mathcal{D} such that $xM^b + \langle C \rangle_M \equiv x^*M^b + \langle C^* \rangle_M \pmod{aNM}$. See Fig. 5 for illustration. Hence $xM^b + \langle C \rangle_M \not\equiv x^*M^b + \langle \varphi(C) \rangle_M \pmod{NM}$ only if C is one of the last s sequences of \mathbb{Z}_M^b , which occurs with probability $s/M^b < N/M^{b-1}$. \square

We now prove NCPA-security of $\text{Feistel}_{\#}^{r(3\lceil \log_M N \rceil + 2)}[M, N]$. Using Lemma 2 then yields the result. Let $a = \lceil \log_M N \rceil$. Suppose that the network receives nonadaptive distinct queries x_1, \dots, x_q . We shall use a similar strategy as in the proof of Theorem 4. Fix an integer $\ell \leq q - 1$. For every $i \leq \ell$, let $u_i = x_i$, and let $u_{\ell+1}$ be chosen uniformly from $\mathbb{Z}_{NM} \setminus \{u_1, \dots, u_\ell\}$. We shall construct another $\text{Feistel}_{\#}^{r(3a+2)}[M, N]$ for queries u_1, \dots, u_ℓ . Let $x_i(t)$ and $u_i(t)$ be the outputs at round t of x_i and u_i respectively. It suffices to define the coupling in the first $3a + 2$ rounds, and show that the probability that $x_i(3a + 2) \neq u_i(3a + 2)$ for some $i \leq \ell + 1$ is at most $(9a + 4)\ell/N + 1/N$.

THE COUPLING. In the first $a + 1$ rounds, for every $i \leq \ell$, we use the same coin to update $x_i(t)$ and $u_i(t)$, and couple $x_{\ell+1}(t)$ and $u_{\ell+1}(t)$ in an arbitrary way. In the next $2a + 1$ rounds, we couple as follows.

- From Lemma 18, there is a permutation φ in \mathbb{Z}_M^{2a+1} such that if C is uniformly chosen from \mathbb{Z}_M^{2a+1} then the probability that

$$M^{2a+1}x_{\ell+1}(a + 1) + \langle C \rangle_M \not\equiv M^{2a+1}u_{\ell+1}(a + 1) + \langle \varphi(C) \rangle_M \pmod{NM}$$

is at most $N/M^{2a} \leq 1/N$. So if $x_{\ell+1}$ uses the sequence of coins $C = (c_{a+2}, \dots, c_{3a+2})$ at rounds $a + 2, \dots, 3a + 2$ then we shall use the sequence $\varphi(C)$ to update $u_{\ell+1}(t)$. Hence the outputs of $x_{\ell+1}$ and $u_{\ell+1}$ at round $3a + 2$ disagree with probability at most $1/N$.

- Now we define the coins of u_i for every $i \leq \ell$. If in the new Feistel network, u_i collides with $u_{\ell+1}$ or some previous query u_j at time t then the coin of u_i at round $t + 1$ is defined. Otherwise, if x_i collides with $x_{\ell+1}$ or some previous query x_j at time t then the coin of u_i at round $t + 1$ is chosen independently from that of x_i . Otherwise, x_i and u_i use the same coin at round $t + 1$.

In the coupling above, although φ depends on $x_{\ell+1}(a + 1)$ and $u_{\ell+1}(a + 1)$, as the sampling of C is uniform and independent with those randomness, so is the sampling of $\varphi(C)$. Consider the event **Coll** that in either network, the $(\ell + 1)$ -th query collides with some previous query at some time $t \in \{a + 1, \dots, 3a + 1\}$. Note that if **Coll** does not occur then for every $i \leq \ell$, the queries x_i and u_i always use the same coin at each round, and therefore have identical outputs at round $3a + 2$. From Lemma 17, the chance that each such collision occurs cannot exceed $17 / (8N)$. Summing over two Feistel networks, $2a + 1$ rounds, and ℓ queries shows that the probability **Coll** occurs is at most $(9a + 4)\ell / N$. Hence the chance that we fail to couple at round $3a + 2$ is at most $(9a + 4)\ell / N + 1/N$.

EXPANDING ROUND FUNCTIONS. For the expanding case, use exactly the same proof as in the contracting case, except that Lemma 17 is replaced by Lemma 20. The result below is needed.

Lemma 19 *In the blockcipher $\text{Feistel}_{\#}^{\nu}[M, N]$ with $N \leq M$, the chance that two distinct non-adaptive queries collide at all rounds $t \leq \lceil \log_N M \rceil$ is at most $1/N$.*

Proof. Let $\lambda = \lceil \log_N M \rceil$. Suppose that the network receives two nonadaptive, distinct queries x_1 and x_2 that collide at every round $t \leq \lambda$. Without loss of generality, assume that the two queries are deterministic. Let s be the largest integer such that M is divisible by N^s . For each $i \in \{1, 2\}$, let the output at round t of x_i be represented as $Na_{i,t} + b_t$ with $a_{i,t} \in \mathbb{Z}_M$ and $b_t \in \mathbb{Z}_N$. Then for any $t > 0$,

$$Na_{i,t} + b_t = Mb_{t-1} + (a_{i,t} \boxplus F(b_{t-1})),$$

where F is the round function at round t . Hence

$$N|a_{1,t} - a_{2,t}| = \left| (a_{1,t-1} \boxplus F(b_{t-1})) - (a_{2,t-1} \boxplus F(b_{t-1})) \right|. \quad (2)$$

Let us examine the right side of (2) through an example. Consider $a_{1,t-1} = 7, a_{2,t-1} = 5$, and $M = 18$. In this case, for any integers x and y , the number $x \boxplus y$ is either $x + y$ or $x + y - 18$. So our examined expression is either 2 or 16. The latter occurs if and only if $F(b_{t-1}) \in \{11, 12\}$.

What about the general case? Let $v_t = |a_{1,t} - a_{2,t}|$. The right side of (2) is either v_{t-1} or $M - v_{t-1}$. If the latter occurs, there are only v_{t-1} possible values for $F(b_{t-1})$. This event then happens with probability v_{t-1} / M because F is uniformly random. The equation (2) also implies that $Nv_t \equiv v_{t-1} \pmod{N^s}$ for any $t > 0$, and thus $v_t \equiv 0 \pmod{N^s}$ for every $t \leq \lambda - s$. From now on, we implicitly assume that $t \leq \lambda - s$. From (2), note that if $v_{t-1} \equiv 0 \pmod{N^{s+1}}$ then $v_t = v_{t-1}/N$; otherwise $v_t = (M - v_{t-1}) / N$. In other words, v_t is *deterministic*. We consider the following cases.

CASE 1: There exists some $t > 1$ such that $v_t = (M - v_{t-1}) / N$, and thus the right side of (2) for this round t takes value $M - v_{t-1}$, which occurs with probability

$$v_{t-1}/M \leq \frac{1}{MN} \max\{v_{t-2}, M - v_{t-2}\} \leq 1/N .$$

CASE 2: $v_t = v_{t-1}/N$ for every $t > 1$. Hence $v_1 \equiv 0 \pmod{N^{\lambda-1}}$. Since the two queries are distinct, so $v_0 > 0$. Therefore, from (2),

$$0 < \frac{1}{N} \min\{v_0, M - v_0\} \leq v_1 \leq \frac{1}{N} \max\{v_0, M - v_0\} < M/N \leq N^{\lambda-1},$$

which contradicts the fact that $v_1 \equiv 0 \pmod{N^{\lambda-1}}$. \square

Lemma 20 *In the blockcipher $\text{Feistel}_{\boxplus}^{\mathcal{L}}[M, N]$ with $N \leq M$, the chance that two distinct non-adaptive queries collide at time $t \geq \lceil \log_N M \rceil$ is at most $9 \lceil \log_N M \rceil / (8N) + 1/N$.*

Proof. Suppose that the network receives two queries x_1 and x_2 . We need only consider the case the two queries collide at time $t = \lceil \log_N M \rceil$. For each $i \in \{1, 2\}$, let round- $(t-1)$ output of x_i be represented as $a_i N + b_i$ with $a_i \in \mathbb{Z}_M$ and $b_i \in \mathbb{Z}_N$. Since the two queries collide at time t , thus

$$b_1 M + (a_1 \boxplus F(b_1)) \equiv b_2 M + (a_2 \boxplus F(b_2)) \pmod{N},$$

where F is the round function at round t . By Lemma 15, this occurs with probability at most $9/(8N)$ if b_1 and b_2 differ, because F is uniformly random. If $b_1 = b_2$ then the two queries collide at round $t-1$. Repeating this argument eventually leads us to examine the case that the two queries collide at any time $i \leq t$, which occurs with probability at most $1/N$ by Lemma 19. By union bound, the total probability is at most $9 \lceil \log_N M \rceil / (8N) + 1/N$. \square

C Proof for Alternating Feistel — Theorem 9

We consider the generalization of $\text{FeIsTeL}_{\boxplus}$ in which the operator \boxplus is replaced by any two group operators in \mathbb{Z}_M and \mathbb{Z}_N , leaving the security of FeIsTeL as a consequence. During this section \boxplus represents the operators on \mathbb{Z}_N and \mathbb{Z}_M instead of modular addition. Given a query to the blockcipher $\text{FeIsTeL}_{\boxplus}^{\mathcal{L}}[M, N]$, its *coin* at an odd round t is the number $a \boxplus F(b)$ where F is the round function at round t and $aN + b$ is the output at round $t-1$, with $a \in \mathbb{Z}_M$ and $b \in \mathbb{Z}_N$. We say that two queries x and x^* *collide* at an even round t if $y \equiv y^* \pmod{N}$, with y and y^* being the outputs at round t of x and x^* respectively. We emphasize that coins are defined only at odd rounds and collisions only at even rounds. Let us start with a simple fact of $\text{FeIsTeL}_{\boxplus}^{\mathcal{L}}[M, N]$, which is analogous to Lemma 3 and can be proved similarly.

Lemma 21 *In the blockcipher $\text{FeIsTeL}_{\boxplus}^{\mathcal{L}}[M, N]$, the chance that two distinct non-adaptive queries collide at time $t \geq 2$ is at most $1/N$.*

Consider the encryption of a number x by $\text{FeIsTeL}_{\boxplus}^{\mathcal{L}}[M, N]$ in which c_i is the coin at round $2i-1$ and g_i is the expanding round function at round $2i$. Let $C = (c_1, \dots, c_b)$ and $G = (g_1, \dots, g_b)$. Let $G(C)$ denote $g_1(c_1) \boxplus \dots \boxplus g_b(c_b)$. By induction on b , we can prove that the if y is the output of x at round $2b$ then $y \bmod N = (x \bmod N) \boxplus G(C)$. The technical lemma below will help us to define coupling later.

Lemma 22 *Given x, x^* in \mathbb{Z}_N and an integer $b > 0$, let $G \stackrel{\S}{\leftarrow} \text{Func}^b(\mathbb{Z}_M, \mathbb{Z}_N)$. Then there exists a random permutation φ on \mathbb{Z}_M^b , which depends solely on G , such that for any independent $C \stackrel{\S}{\leftarrow} \mathbb{Z}_M^b$, the chance that $x \boxplus G(C) \neq x^* \boxplus G(\varphi_G(C))$ is at most $\sqrt{N/M^b}$.*

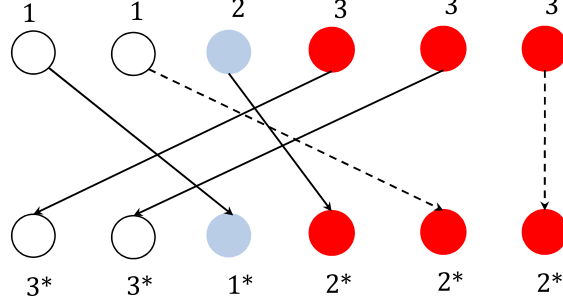


Fig. 6. Illustration for proof of Lemma 22. The figure shows a permutation over a multiset $S = \{1, 1, 2, 3, 3, 3\}$. We iterate through the elements of S from left to right. Each top circle is mapped to a bottom one, illustrated by a solid arrow (first iteration) or a dashed arrow (second iteration). A number i in S should be mapped to i^* whenever possible, where i^* denotes the number in \mathbb{Z}_N such that $x \boxplus i = x^* \boxplus i^*$. In this example, x, x^* , and \boxplus is chosen so that $1^* = 2$, and $2^* = 3$, and $3^* = 1$.

Proof. Let S be the multiset $\{G(C) \mid C \in \mathbb{Z}_M^b\}$. We shall define φ by creating a permutation over S , and if $G(C)$ is mapped to $G(C^*)$ then $\varphi(C) = C^*$. For each $i \in \mathbb{Z}_N$, let i^* denote the number in \mathbb{Z}_N such that $x \boxplus i = x^* \boxplus i^*$. Our purpose is to map i to i^* whenever possible, and thus the following greedy algorithm is employed. We iterate through the elements of S , and map each number i in S to another number i^* as long as one-to-one property is not violated. Some element i may fail to be mapped, because there are more i than i^* in S . In those cases, we simply ignore the current element and continue to process the next one. After the first iteration terminates, we shall map the ignored elements of S arbitrarily as long as this mapping is still one-to-one. See Fig. 6 for illustration. In this example, if we iterate from left to right, we are unable to map the second and the last elements in the first iteration, and have to defer mapping them to the second iteration.

To evaluate the probability that $x \boxplus G(C) \neq x^* \boxplus G(\varphi(C))$, we condition on G and examine the chance that an element i uniformly chosen from S is not mapped to i^* . For each number $i \in \mathbb{Z}_N$, let i_G be $\Pr[G(C) = i \mid G]$, where $C \stackrel{\$}{\leftarrow} \mathbb{Z}_M^b$. Note that i_G is a random variable and $\mathbf{E}(i_G) = 1/N$. Back to the prior example in Fig. 6, we have two 1s but only one 1^* , so in the first iteration we ignore one element 1. Likewise, we have three 3s but only two 3^* s, so we have to ignore one element 3. Hence in this example, our examined probability is $1/6 + 1/6 = 1/3$. In general,

$$\Pr[x \boxplus G(C) \neq x^* \boxplus G(\varphi(C)) \mid G] = \sum_{i_G > i_G^*} (i_G - i_G^*) = \frac{1}{2} \sum_{i \in \mathbb{Z}_N} |i_G - i_G^*|, \quad (3)$$

where the second identity is due to $\sum_{i \in \mathbb{Z}_N} i_G = \sum_{i \in \mathbb{Z}_N} i_G^*$. Moreover, by triangle inequality,

$$\sum_{i \in \mathbb{Z}_N} |i_G - i_G^*| \leq \sum_{i \in \mathbb{Z}_N} |i_G - 1/N| + |1/N - i_G^*| = 2 \sum_{i \in \mathbb{Z}_N} |i_G - 1/N|. \quad (4)$$

Taking expectation for (3) and (4) gives us

$$\Pr[x \boxplus G(C) \neq x^* \boxplus G(\varphi(C))] \leq \sum_{i \in \mathbb{Z}_N} \mathbf{E} |i_G - 1/N|. \quad (5)$$

To bound the right side of (5), by Cauchy-Schwarz inequality,

$$\left(\sum_{i \in \mathbb{Z}_N} \mathbf{E} |i_G - 1/N| \right)^2 \leq N \sum_{i \in \mathbb{Z}_N} \mathbf{E} [(i_G - 1/N)^2] = N \sum_{i \in \mathbb{Z}_N} \mathbf{Var}(i_G) . \quad (6)$$

From (5) and (6), what remains is to show that

$$\sum_{i \in \mathbb{Z}_N} \mathbf{Var}(i_G) \leq 1/M^b . \quad (7)$$

We shall prove (7) by induction on b , including the degenerate case $b = 0$, in which $G(C)$ is defined as the identity of the group (\mathbb{Z}_N, \boxplus) . In the degenerate case, $i_G = 1$ if i is the identity of the group (\mathbb{Z}_N, \boxplus) , otherwise $i_G = 0$. The base case $b = 0$ is trivial, because the left side is $1 - 1/N$ and the right side is 1. Suppose that the claim holds for b . We now prove the claim when $b + 1$ is substituted for b . Express G as (G', g) , with $G' \stackrel{\$}{\leftarrow} \text{Func}^b(\mathbb{Z}_M, \mathbb{Z}_N)$ and $g \stackrel{\$}{\leftarrow} \text{Func}(\mathbb{Z}_M, \mathbb{Z}_N)$. Likewise, let $C = (C', c)$, with $C' \stackrel{\$}{\leftarrow} \mathbb{Z}_M^b$ and $c \stackrel{\$}{\leftarrow} \mathbb{Z}_M$.

Again, let $i_{G'} = \Pr[G'(C') = i \mid G']$ for each $i \in \mathbb{Z}_N$. Now consider any arbitrary element j of \mathbb{Z}_N . For each $\omega \in \mathbb{Z}_M$, let

$$\tilde{\omega} = \Pr[G'(C') \boxplus g(\omega) = j \mid G'] .$$

Note that $\tilde{\omega}$ is a random variable. Because g is uniformly random, for each fixed G' , all variables $\tilde{\omega}$ are (conditionally) independent and uniformly distributed over the multiset $\{i_{G'} \mid i \in \mathbb{Z}_N\}$. Since c is uniformly random and $G(C) = G'(C') \boxplus g(c)$, thus $j_G = \sum_{\omega \in \mathbb{Z}_M} \tilde{\omega}/M$. Hence

$$\mathbf{Var}(j_G \mid G') = \mathbf{Var}\left(\sum_{\omega \in \mathbb{Z}_M} \tilde{\omega}/M \mid G' \right) = \frac{1}{M^2} \sum_{\omega \in \mathbb{Z}_M} \mathbf{Var}(\tilde{\omega} \mid G') = \frac{1}{MN} \sum_{i \in \mathbb{Z}_N} \mathbf{Var}(i_{G'} \mid G'),$$

where the second identity is from the conditional independence of $\tilde{\omega}$, and the third identity is due to their uniform distribution over the multiset $\{i_{G'} \mid i \in \mathbb{Z}_N\}$. Taking expectation and summing over all $j \in \mathbb{Z}_N$ gives us

$$\sum_{j \in \mathbb{Z}_N} \mathbf{Var}(j_G) = \frac{1}{M} \sum_{i \in \mathbb{Z}_N} \mathbf{Var}(i_{G'}) \leq M^{-(b+1)};$$

the inequality is from the induction hypothesis. \square

We now prove NCPA-security of $\text{FeIsTeL}_{\#}^{r(6\lceil \log_M N \rceil + 4)}[M, N]$. Using Lemma 2 then yields the desired result. Suppose that the network receives nonadaptive distinct queries x_1, \dots, x_q . Let $b = 3\lceil \log_M N \rceil$. We shall use a similar strategy as in the proof of Theorem 4. Fix an integer $\ell \leq q - 1$. For every $i \leq \ell$, let $u_i = x_i$, and let $u_{\ell+1}$ be chosen uniformly from $\mathbb{Z}_{NM} \setminus \{u_1, \dots, u_\ell\}$. We shall construct another $\text{FeIsTeL}_{\#}^{r(2b+4)}[M, N]$ for queries u_1, \dots, u_ℓ . Let $x_i(t)$ and $u_i(t)$ be the outputs at round t of x_i and u_i respectively. It suffices to define the coupling in the first $2b + 4$ rounds, and show that the probability that $x_i(2b + 4) \neq u_i(2b + 4)$ for some $i \leq \ell + 1$ is at most $(2b + 2)\ell / N + 1/N$.

THE COUPLING. At each even round, both networks will use the same expanding round function. Hence we need only show how to couple the coins at odd rounds. In the first two rounds, we use the same coin to update $x_i(t)$ and $u_i(t)$, and couple $x_{\ell+1}(t)$ and $u_{\ell+1}(t)$ in an arbitrary way. In the next $2b + 2$ rounds, we couple as follows.

- Suppose that $x_{\ell+1}$ uses the sequence of coins $C = (c_1, \dots, c_b)$ at rounds $3, 5, \dots, 2b + 1$. Let g_i be the expanding round function at round $2i + 2$, and let $G = (g_1, \dots, g_b)$. From Lemma 22, there exists a permutation φ on \mathbb{Z}_M^b such that

$$(x_{\ell+1}(2) \bmod N) \boxplus G(C) \neq (u_{\ell+1}(2) \bmod N) \boxplus G(\varphi(C))$$

with probability at most $1/N$. We shall use the sequence $\varphi(C)$ to update $u_{\ell+1}(t)$, and thus $x_{\ell+1}(2b + 2) \not\equiv u_{\ell+1}(2b + 2) \pmod{N}$ with probability at most $1/N$. At round $2b + 3$, we shall use the same coin for $x_{\ell+1}$ and $u_{\ell+1}$. Hence the chance that $x_{\ell+1}$ and $u_{\ell+1}$ disagree on their outputs at round $2b + 3$ or $2b + 4$ is at most $1/N$.

- Now we define the coins of u_i for every $i \leq \ell$. If in the new Feistel network, u_i collides with $u_{\ell+1}$ or any previous query u_j at an even time t then the coin of round $t + 1$ is defined. Otherwise, if x_i collides with $x_{\ell+1}$ or some previous query x_j at time t then the coin of u_i at round $t + 1$ is chosen uniformly and independently. Otherwise, x_i and u_i use the same coin at round $t + 1$.

In the coupling above, although φ depends on $x_{\ell+1}(2), u_{\ell+1}(2)$, and G , because the sampling of C is uniform and independent with those randomness, so is the sampling of $\varphi(C)$. Consider the event **Coll** that in either Feistel network, the $(\ell + 1)$ -th query collides with some previous query at some time $t \in \{2, 4, \dots, 2b + 2\}$. Note that if **Coll** does not occur then for every $i \leq \ell$, the queries x_i and u_i always use the same coin at each round, and therefore have identical outputs at round $2b + 4$. From Lemma 21, each such collision occurs with probability at most $1/N$. Summing over two Feistel networks, $b + 1$ rounds, and ℓ queries shows that the probability **Coll** occurs is at most $(2b + 2)\ell / N$. Hence the chance that $x_i(2b + 4) \neq u_i(2b + 4)$ for some $i \leq \ell + 1$ is at most $(2b + 2)\ell / N + 1/N$.

D Proofs for Type-1, Type-2, and Type-3 Feistel – Theorem 10

TYPE-1 FEISTEL. Given some query X to $\text{Feistel}^n[k, n]$, its *coin* at round t is the first block of the round- t output. Two queries *collide* at time t if they have the same coin at round t .

Lemma 23 *In the blockcipher $\text{Feistel}^n[k, n]$, the chance that two distinct non-adaptive queries collide at time $t \geq k - 1$ is at most $(k - 1)/2^n$.*

Proof. Suppose that the network receives two non-adaptive queries X and X' . Let B_i and B'_i be the i -th block of the round- $(t - 1)$ outputs of X and X' respectively. The queries X and X' collide at time t if and only if $F(B_1) \oplus B_2 = F(B'_1) \oplus B'_2$, where F is the round function at round t . If B_1 and B'_1 differ then the prior equation occurs with probability at most 2^{-n} , because F is uniformly random. If $B_1 = B'_1$, this implies that $B_2 = B'_2$. Repeating this argument leads us to examine the case when the round- $(t - 2)$ outputs of the two queries agree at the first three blocks, and then the round- $(t - 3)$ output at first four blocks, and so on. When this chain of reasoning stops at round $t - k + 1$, the outputs at this round of the two queries must be identical, which is a contradiction. Hence by union bound, the chance the the two queries collide at round t is at most $(k - 1)/2^n$. \square

We now prove NCPA-security of $\text{Feistel}^{r(2k-1)}[k, n]$. We then conclude the result by Lemma 2. Suppose that E receives non-adaptive distinct queries X_1, \dots, X_q . We shall use a similar strategy as in the proof of Theorem 4. Fix an integer $\ell \leq q - 1$. For every $i \leq \ell$, let $U_i = X_i$ and let $U_{\ell+1}$ be chosen uniformly from $\{0, 1\}^{kn} \setminus \{U_1, \dots, U_\ell\}$. We shall construct another $\text{Feistel}^{r(2k-1)}[k, n]$ for queries U_1, \dots, U_ℓ . Let $X_i(t)$ and $U_i(t)$ be the outputs at round t of X_i and U_i respectively.

It suffices to define the coupling in the first $2k - 1$ rounds, and show that the probability that $X_i(2k - 1) \neq U_i(2k - 1)$ for some $i \leq \ell + 1$ is at most $2k(k - 1)\ell / 2^n$.

THE COUPLING. In the first $k - 1$ rounds, for every $i \leq \ell$, each coin of U_i will be borrowed from that of X_i , and $X_{\ell+1}(t)$ and $U_{\ell+1}(t)$ are coupled in an arbitrary way. In the next k rounds, we couple as follows.

- If U_i collides with some previous query U_j at time t then the coin at round $t + 1$ of U_i is defined so as to ensure consistency with the earlier query.
- Suppose that, in the new Feistel network, U_i does not collide with any previous query at time t . If the query X_i collides with some previous query X_j at time t then we choose a string uniformly from $\{0, 1\}^n$ to be the coin of U_i at round $t + 1$. Otherwise, the coin of X_i at round $t + 1$ is uniformly distributed over $\{0, 1\}^n$ and U_i will use exactly the same coin at round $t + 1$.

Note that U_i and X_i always have the same output at round t , for every $i \leq \ell$ and every t . Consider the event **Coll** that in either Feistel networks, the $(\ell + 1)$ -th query collides with some previous query at some time $t \in \{k - 1, \dots, 2k - 2\}$. From Lemma 23, each such collision occurs with probability at most $(k - 1)/2^n$. Summing over the two Feistel networks, k rounds, and ℓ previous queries shows that the probability **Coll** occurs is at most $2k(k - 1)\ell / 2^n$. Unless **Coll** occurs, $U_{\ell+1}$ and $X_{\ell+1}$ will share the coins at the rounds $k, \dots, 2k - 1$, and then have identical outputs at the round $2k - 1$. Hence the chance that we fail to couple at round $2k - 1$ cannot exceed $2k(k - 1)\ell / 2^n$.

TYPE-2 FEISTEL. For each $i \leq k/2$, a query's i th coin at round t is the $(2i - 1)$ th block of its round- t output. Two queries *collide* at round t if they have the same i th coin at round t , for some $i \leq k/2$.

Lemma 24 *In the blockcipher Feistel $2^n[k, n]$, the chance that two distinct non-adaptive queries collide at time $t \geq k - 1$ is at most $k(k - 1)/2^{n+1}$.*

Proof. Suppose that the network receives two non-adaptive queries X and X' . Let B_i and B'_i be the i -th block of the round- $(t - 1)$ outputs of X and X' respectively. We shall show that the chance the two queries share the i th coin at round t is at most $(k - 1)/2^n$. Hence by union bound, the chance that X and X' collide at round t is at most $k(k - 1)/2^{n+1}$.

Suppose the two queries share the i th coin at round t . This implies that $F(B_{2i-1}) \oplus B_{2i} = F(B'_{2i-1}) \oplus B'_{2i}$, where F is the round function of the $(2i - 1)$ th block at round t . If B_{2i-1} and B'_{2i-1} differ then the prior equation occurs with probability at most 2^{-n} , because F is uniformly random. Otherwise, B_{2i} and B'_{2i} must be equal. Repeating this argument eventually leads us to examine the case when for every $j < k$, the round- $(t - j)$ outputs of the two queries agree on the blocks $2i - 1, 2i, \dots, (2i - 1 + j) \bmod k$. When this chain of reasoning stops at round $t - k + 1$, the outputs at this round of the two queries must be identical, which is a contradiction. Hence by union bound, the chance that X and X' share the i th coin at round t is at most $(k - 1)/2^n$. \square

We now prove NCPA-security of Feistel $2^{r(k+1)}[k, n]$. Applying Lemma 2 then yields the result. Suppose that the network receives nonadaptive distinct queries X_1, \dots, X_q . We shall use a similar strategy as in the proof of Theorem 4. Fix an integer $\ell \leq q - 1$. For every $i \leq \ell$, let $U_i = X_i$ and let $U_{\ell+1}$ be chosen uniformly from $\{0, 1\}^{kn} \setminus \{U_1, \dots, U_\ell\}$. We shall construct another Feistel $2^{r(k+1)}[k, n]$ for queries U_1, \dots, U_ℓ . Let $X_i(t)$ and $U_i(t)$ be the outputs at round t of X_i and U_i respectively. It suffices to define the coupling in the first $k + 1$ rounds, and show that the probability that $X_i(k + 1) \neq U_i(k + 1)$ for some $i \leq \ell + 1$ is at most $2k(k - 1)\ell / 2^n$.

THE COUPLING. In the first $k - 1$ rounds, for every $i \leq \ell$, each coin of U_i will be borrowed from the corresponding coin of X_i , and $X_{\ell+1}(t)$ and $U_{\ell+1}(t)$ are coupled in an arbitrary way. In the next two rounds, we couple as follows.

- If U_i collides with some previous query U_j at time t then its coins at round $t + 1$ are generated to ensure consistency with earlier queries.
- Suppose that, in the new Feistel network, U_i does not collide with any previous query at time t . If the query X_i collides with some previous query X_j at time t then the coins of U_i at round $t + 1$ are generated independently from those of X_i . Otherwise, U_i will share each corresponding coin with X_i at round $t + 1$.

Note that U_i and X_i always have the same output at round t , for every $i \leq \ell$ and every t . Consider the event *Coll* that in either Feistel networks, the $(\ell + 1)$ -th query collides with some previous query at some time $t \in \{k - 1, k\}$. From Lemma 24, each such collision occurs with probability at most $k(k - 1)/2^{n+1}$. Summing over the two Feistel networks, two rounds, and ℓ previous queries shows that the probability *Coll* occurs is at most $2k(k - 1)\ell / 2^n$. Unless *Coll* occurs, $U_{\ell+1}$ and $X_{\ell+1}$ will share the coins at the rounds k and $k + 1$, and then have identical outputs at the round $k + 1$. Hence the chance that we fail to couple at round $k + 1$ cannot exceed $2k(k - 1)\ell / 2^n$.

TYPE-3 FEISTEL. For each $i \leq k - 1$, a query’s i th coin at round t is the i th block of its round- t output. Two queries *collide* at round t if they have the same i th coin at round t , for some $i \leq k - 1$. We shall use exactly the same proof as in type-2 case, except that Lemma 24 is replaced by the following result.

Lemma 25 *In the blockcipher Feistel3 ^{ν} [k, n], the chance that two distinct non-adaptive queries collide at time $t \geq k - 1$ is at most $(k - 1)^2/2^n$.*

Proof. Suppose that the network receives two non-adaptive queries X and X' . Let B_i and B'_i be the i -th block of the outputs at round $t - 1$ of X and X' respectively. We shall show that the chance the two queries share the i th coin at round t is at most $(k - 1)/2^n$. Hence by union bound, the chance that X and X' collide at round t is at most $(k - 1)^2/2^n$.

Suppose that the two queries share the i th coin at round t . This implies that $F(B_i) \oplus B_{i+1} = F(B'_i) \oplus B'_{i+1}$, where F is the round function of the i th block at round t . If B_i and B'_i differ then the prior equation occurs with probability at most 2^{-n} , because F is uniformly random. Otherwise, B_{i+1} and B'_{i+1} must be equal. Repeating this argument eventually leads us to examine the case when for every $j < k$, the outputs at round $t - j$ of the two queries agree on the blocks $i, i + 1, \dots, (i + j) \bmod k$. When this chain of reasoning stops at round $t - k + 1$, the outputs at this round of the two queries must be identical, which is a contradiction. Hence by union bound, the chance that X and X' share the i th coin at round t is at most $(k - 1)/2^n$. \square

E Unbalanced Feistel on Decimal Strings

To help illustrate what the unbalanced Feistel results say, in a concrete setting, consider the problem of enciphering US social security numbers (9 digits), credit card numbers (16–19 digits), or credit card “cores” (6–8 digits) by unbalanced Feistel of a decimal string. (Recall that all of our string-based results directly lift to arbitrary alphabets.) For a given string length n and number of rounds ν

AES calls	6 digits	7 digits	8 digits	9 digits	16 digits	17 digits	18 digits	19 digits
12	3, 5.17	3, 4.56	4, 7.39	3, 7.88	8, 16.25	6, 16.19	9, 18.46	7, 17.85
14	3, 5.17	3, 4.56	4, 7.39	3, 7.88	8, 16.25	6, 16.19	9, 18.46	7, 17.85
16	3, 5.17	2, 6.01	2, 7.67	3, 7.88	4, 17.64	5, 17.64	5, 19.30	5, 20.96
18	3, 5.97	2, 6.01	4, 8.47	3, 7.88	8, 18.43	5, 17.64	9, 20.92	5, 20.96
20	3, 5.97	2, 6.01	4, 8.47	2, 9.17	8, 18.43	4, 19.14	9, 20.92	4, 22.46
22	3, 5.97	2, 6.01	4, 8.47	2, 9.17	8, 18.43	4, 19.14	9, 20.92	4, 22.46
24	2, 6.61	3, 6.61	4, 9.09	3, 11.04	6, 19.89	6, 22.11	6, 24.32	7, 24.32
26	2, 6.61	3, 6.61	4, 9.09	3, 11.04	6, 19.89	6, 22.11	6, 24.32	7, 24.32
28	2, 6.61	1, 7.27	4, 9.09	3, 11.04	6, 19.89	6, 22.11	6, 24.32	7, 24.32
30	3, 6.74	1, 7.27	4, 9.50	3, 11.04	8, 20.58	6, 22.11	6, 24.32	7, 24.32
32	3, 6.74	2, 8.54	2, 10.76	3, 11.04	4, 24.05	5, 24.05	5, 26.26	5, 28.48
34	3, 6.74	2, 8.54	2, 10.76	3, 11.04	4, 24.05	5, 24.05	5, 26.26	5, 28.48
36	2, 7.59	2, 8.54	2, 10.76	3, 12.57	4, 24.05	6, 25.03	6, 27.52	5, 28.48
38	2, 7.59	2, 8.54	2, 10.76	3, 12.57	4, 24.05	6, 25.03	6, 27.52	5, 28.48
40	2, 7.59	2, 8.54	2, 10.76	2, 12.76	4, 24.05	4, 26.05	4, 28.26	4, 30.48
42	2, 7.59	2, 8.54	2, 10.76	2, 12.76	4, 24.05	4, 26.05	4, 28.26	4, 30.48
44	2, 7.59	2, 8.54	2, 10.76	2, 12.76	4, 24.05	4, 26.05	4, 28.26	4, 30.48
46	2, 7.59	2, 8.54	2, 10.76	2, 12.76	4, 24.05	4, 26.05	4, 28.26	4, 30.48
48	2, 8.16	2, 9.77	2, 12.26	3, 13.47	4, 27.21	3, 28.09	3, 30.30	5, 32.19
50	2, 8.16	2, 9.77	2, 12.26	3, 13.47	4, 27.21	3, 28.09	3, 30.30	5, 32.19
52	2, 8.16	2, 9.77	2, 12.26	3, 13.47	4, 27.21	3, 28.09	3, 30.30	5, 32.19
54	2, 8.16	2, 9.77	2, 12.26	3, 13.47	4, 27.21	3, 28.09	3, 30.30	5, 32.19
56	2, 8.16	1, 10.22	2, 12.26	3, 13.47	4, 27.21	3, 28.09	3, 30.30	3, 32.37
58	2, 8.16	1, 10.22	2, 12.26	3, 13.47	4, 27.21	3, 28.09	3, 30.30	3, 32.37
60	2, 8.53	1, 10.22	2, 12.26	2, 14.51	4, 27.21	4, 29.46	4, 31.95	4, 34.44

Fig. 7. CCA threshold for unbalanced Feistel over a decimal alphabet. The scheme is $\text{Feistel}_{10}^{\nu}[m, n]$ with ν ranging from 12 to 60, and $m + n$ ranging from 6 to 19. Each entry shows the “best” choice of m and then the \log_2 of the corresponding CCA-threshold, according to Section 4. For example, the entry at the last row and last column indicates that to encrypt 19-digit numbers with 60 rounds (AES calls), the best bound we get occurs with $\text{Feistel}_{10}^{60}[4, 15]$, which yields a CCA-threshold $q = 2^{34.44}$ queries.

we compute, for each m , our bound on the CCA-threshold for $\text{Feistel}_{10}^{\nu}[m, n]$ —the largest number of queries that an adversary can ask so that its CCA-advantage provably remains less than 0.5.

In a practical implementation, each round of $\text{Feistel}_{10}^{\nu}[m, n]$ would probably be instantiated by a single AES call, making the number of rounds the number of AES calls. Fig. 7 then shows the parameter m that achieves the best proven CCA-threshold with the given number of AES calls. After, it shows the log, base-2, of the number of queries this demonstrably tolerates. With a larger budget of AES calls one profits from increasing the imbalance.

We do not suggest that, in practice, the most desirable choice of imbalance is what is given by the table: the particular value specified is an artifact of present bounds. And we remind the reader that balanced Feistel schemes with a secure-PRF round function are not known to admit remotely practical attacks even for small n and modest numbers of rounds; there remains a huge

gap between lower and upper bounds on *every* kind of generalized Feistel network, the best known attacks with sufficient round counts (meet-in-the-middle attacks) taking doubly exponential time.