

Wide Strong Private RFID Identification based on Zero-Knowledge

Roel Peeters and Jens Hermans*

Department of Electrical Engineering – COSIC
KU Leuven and IBBT
Kasteelpark Arenberg 10/2446, 3001 Heverlee, BELGIUM
`firstname.lastname@esat.kuleuven.be`

Abstract. We present the first wide-strong RFID identification protocol that is based on zero-knowledge. Until now this notion has only been achieved by schemes based on IND-CCA2 encryption. Rigorous proofs in the standard model are provided for the security and privacy properties of our protocol. Furthermore our protocol is the most efficient solution presented in the literature. Using only Elliptic Curve Cryptography (ECC), the required circuit area can be minimized such that our protocol even fits on small RFID tags. Concerning computation on the tag, we only require two scalar-EC point multiplications.

Keywords. RFID, Private Identification, Zero-Knowledge, Elliptic Curve Cryptography.

1 Introduction

RFID tags are deployed in various consumer applications such as physical access tokens, car keys, contactless payment systems and electronic passports. For these applications, it is crucial that the underlying protocols protect not only security but also protect the (location) privacy of the end user. Yet, all communication with RFID tags can easily be eavesdropped or modified, tags respond to any query and RFID tags can be corrupted, which renders these vulnerable to attacks. On top of this, an adversary can typically learn the outcome of the identification protocol. Successful identifications result in an unlocked door, unlocked car or processed payment; while failure has no outcome.

Privacy of RFID identification protocols is evaluated in terms of achieved privacy notions. The notion of strong privacy provides the strongest privacy guarantees: no adversary actively interacting with the tags and the reader, is able to infer any information on a tag's identity from tag communication, even when given all secrets stored on the tag. The notion of wide-strong privacy corresponds to strong privacy against adversaries that also learn the outcome of the protocol.

Our goal is to design and evaluate an RFID identification protocol with the strongest possible privacy guarantees, i.e. wide-strong. This privacy notion cannot be achieved when considering only symmetric identification protocols [27], where some cryptographic secret is shared between tag and reader. Additionally, Damgård and Pedersen [11] showed that privacy for RFID symmetric identification protocols, comes at the cost of a non-scaleable lookup procedure at the reader. Examples of symmetric RFID identification protocols can be found in [18, 13, 5]. The main reason behind using symmetric identification protocols is the perception that public-key cryptography requires either too much time, power or circuit area to implement on low-cost devices. However, Lee *et al.* [21] and Hein *et al.* [16] showed that public key cryptography, in particular Elliptic Curve Cryptography (ECC), can be realized on RFID tags. Previously, wide strong privacy has only been achieved by schemes relying on an IND-CCA2 encryption scheme (or variants of such schemes) [27, 10]. Our scheme only needs an ECC architecture without additional components typically required for IND-CCA2 encryption (e.g. hash function), resulting a smaller hardware footprint, which is a great improvement.

* Jens Hermans is a research assistant, sponsored by the Fund for Scientific Research - Flanders (FWO).

Outline Section 2 first introduces the required definitions. An overview of relevant previously proposed private RFID protocols is given in Sect. 3. In Sect. 4, we propose our protocol and analyze its security and privacy properties. We also propose an optimized version of our protocol. Section 5 takes into account some implementation considerations and compares the different protocols.

2 Definitions

We consider a system comprised of multiple tags and only one reader, where a tag and the reader carry out an identification protocol. Each tag stores a state and the reader keeps a database of all valid tags, to which tags can be dynamically added by the adversary. More general the reader could be a central back-end server that is connected to multiple readers, however tags can only identify to one server. Adversaries are allowed to communicate with all tags and the reader. For privacy, only the content of the exchanged messages is taken into account, not the physical characteristics of the radio links as studied by Danev *et al.* [12] which should be dealt with at the hardware level.

In this section, we will first give a short overview of the selected privacy model and the different privacy notions. Then the properties of a private identification protocol are discussed. Finally we give an overview of the necessary number-theoretic assumptions.

2.1 Privacy Model

The privacy model of Vaudenay [27] was one of the first and most complete privacy models that featured the notion of strong privacy. This model is based on simulatability; for the strongest privacy notions a separate blinder between the adversary and the oracles is required. Vaudenay shows that wide strong privacy cannot be achieved in this model by using a specific feature of the blinder. Armknecht *et al.* [2] later pointed out some issues of this model with regard to the blinder. Canard *et al.* [10] also proposed a simulation based model that resolves these issues by introducing a trivial adversary. However, their model is less general, as the focus is on finding non-trivial links between messages communicated by the same tag. The Juels-Weis model [19] is a well-known privacy model based on indistinguishability. This model lacks generality since it does not allow the adversary to corrupt challenge tags. Hermans *et al.* [17] provide a general privacy model for RFID based on indistinguishability; it is more robust and easier to apply. For these reasons we selected this model, a brief description of the model is given below. For more details on the different RFID privacy models and a comparison between these, the reader is referred to [17].

Privacy Model of Hermans et al. [17] The intuition behind the RFID privacy model of Hermans *et al.* is that privacy is guaranteed if an adversary cannot distinguish with which one of two RFID tags (of its choosing), he is interacting through a set of oracles.

Privacy is defined as a distinguishability game (or experiment **Exp**) between a challenger and the adversary. This game is defined as follows. First the challenger picks a random challenge bit b and then sets up the system \mathcal{S} with a security parameter k . Next, the adversary \mathcal{A} can use a subset (depending on the privacy notion) of the following oracles to interact with the system:

- **CreateTag**(ID) $\rightarrow T_i$: on input a tag identifier ID , this oracle creates a tag with the given identifier and corresponding secrets, and registers the new tag with the reader. A reference T_i to the new tag is returned. Note that this does not reject duplicate IDs.
- **Launch**() $\rightarrow \pi$: this oracle launches a new protocol run on the reader R_j , according to the protocol specification. It returns a session identifier π , generated by the reader.
- **DrawTag**(T_i, T_j) $\rightarrow vtag$: on input a pair of tag references, this oracle generates a virtual tag reference, as a monotonic counter, $vtag$ and stores the triple $(vtag, T_i, T_j)$ in a table \mathcal{D} . Depending on the value of b , $vtag$ either refers to T_i or T_j . If T_i is already referenced as the left-side tag in \mathcal{D} or T_j as the right-side tag, then this oracle also returns \perp and adds no entry to \mathcal{D} . Otherwise, it returns $vtag$.

- **Free**($vtag$) $_b$: on input $vtag$, this oracle retrieves the triple $(vtag, T_i, T_j)$ from the table \mathcal{D} . If $b = 0$, it resets the tag T_i . Otherwise, it resets the tag T_j . Then it removes the entry $(vtag, T_i, T_j)$ from \mathcal{D} . When a tag is reset, its volatile memory is erased. The non-volatile memory, which contains the state S , is preserved.
- **SendTag**($vtag, m$) $_b \rightarrow m'$: on input $vtag$, this oracle retrieves the triple $(vtag, T_i, T_j)$ from the table \mathcal{D} and sends the message m to either T_i (if $b = 0$) or T_j (if $b = 1$). It returns the reply from the tag (m'). If the above triple is not found in \mathcal{D} , it returns \perp .
- **SendReader**(π, m) $\rightarrow m'$: on input π, m this oracle sends the message m to the reader in session π and returns the reply m' from the reader (if any) is returned by the oracle.
- **Result**(π): on input π , this oracle returns a bit indicating whether or not the reader accepted session π as a protocol run that resulted in successful authentication of a tag. If the session with identifier π is not finished yet, or there exists no session with identifier π , \perp is returned.
- **Corrupt**(T_i): on input a tag reference T_i , this oracle returns the complete internal state of T_i . Note that the adversary is not given control over T_i .

By using the **DrawTag** oracle the adversary can arbitrarily select which tags to interact with. Based upon the challenge bit b the system that the challenger presents to the adversary will behave as either the ‘left’ tags T_i or the ‘right’ tags T_j . After \mathcal{A} called the oracles, it outputs a guess bit g . The outcome of the game will be $g = b$, *i.e.*, 0 for an incorrect and 1 for a correct guess. The adversary wins the privacy game if it can distinguish correctly the ‘left’ from the ‘right’ world being executed. The advantage of the adversary $\mathbf{Adv}_{S, \mathcal{A}}(k)$ is defined as:

$$|Pr[\mathbf{Exp}_{S, \mathcal{A}}^0(k) = 1] + Pr[\mathbf{Exp}_{S, \mathcal{A}}^1(k) = 1] - 1|.$$

2.2 Privacy notions

Strong attackers are allowed to use all the oracles available. *Forward* attackers are only allowed to do other corruptions after the first corruption, protocol interactions are no longer allowed. *Weak* attackers cannot corrupt tags.

Independently of these classes, there is the notion of *wide* and *narrow* attackers. A *wide* attacker is allowed to get the result from the reader, *i.e.*, whether the identification was successful or not; while a *narrow* attacker does not.

The privacy notions are related as follows:

$$\begin{array}{ccccc} \text{Wide-Strong} & \Rightarrow & \text{Wide-Forward} & \Rightarrow & \text{Wide-Weak} \\ \Downarrow & & \Downarrow & & \Downarrow \\ \text{Narrow-Strong} & \Rightarrow & \text{Narrow-Forward} & \Rightarrow & \text{Narrow-Weak} \end{array}$$

$A \Rightarrow B$ means that if the protocol is A -private, it implies that the protocol is B -private. It should be obvious that a protocol that is wide-strong private will also belong to all other privacy classes, that only allow weaker adversaries.

We also define X^* privacy notion variants, where X refers to the basic privacy notion and $*$ to the notion that arises when the corruption abilities of the adversary are further restricted with respect to the **Corrupt** oracle. The restricted **Corrupt** oracle will only return the non-volatile state of the tag. This restriction allows to exclude trivial privacy attacks on multi-pass protocols, that require the tag to store some information in volatile memory during the protocol run.

2.3 Private identification protocol

A private identification protocol has the following three properties: correctness, soundness and privacy. Correctness and soundness are necessary to establish the security of the identification protocol. Privacy will ensure that all parties cannot infer any information on the tag’s identity from the protocol messages, except the reader for which the tag is identifying to.

A function $f : \mathbb{N} \rightarrow \mathbb{R}$ is called ‘polynomial’ in the security parameter $k \in \mathbb{Z}$ if $f(k) = O(k^n)$, with $n \in \mathbb{N}$. It is called ‘negligible’ if, for every $c \in \mathbb{N}$ there exists an integer k_c such that $f(k) \leq k^{-c}$ for all $k > k_c$.

Correctness ensures that a legitimate tag is always accepted by a reader.

Definition 1. *Correctness.* A scheme is correct if the identification of a legitimate tag only fails with negligible probability.

Soundness is the property that a fake tag is not accepted by the reader. We only consider adversaries that cannot interact with the tag they try to impersonate during the identification protocol (i.e., we do not consider relay or concurrent attacks). Concurrent attacks are impossible in the RFID setting, since tags can only participate in one session at the time. To avoid relay attacks, distance bounding protocols can be deployed. Rasmussen *et al.* [23] proposed an implementation of such a protocol with analog components that is suitable for RFID tags. The following definition differs from most models as we do not require matching conversations, but impersonation resistance as in [7] is sufficient.

Definition 2. *Soundness.* A scheme is resistant against impersonation attacks if no polynomially bounded strong adversary succeeds, with non-negligible probability, in being identified by a verifier as the tag it impersonates. Adversaries may interact with the tag they want to impersonate prior to, and with all other tags prior to and during the protocol run. Nevertheless, the resulting protocol transcript must not lead to the identification of a corrupted tag.

In a more general setting, a tag could be allowed to identify privately to multiple readers (not connected to the same central back-end server). In such a setting one RFID tag can be used to gain access to multiple independent locations, *e.g.*, office and home. However, even for a subset of corrupted readers, the adversary should not gain an advantage in authenticating as a valid tag to an uncorrupted reader. In this setting there is a clear advantage for protocols that provide extended soundness, since the tag can use the same private/public key pair to identify to each reader.

Definition 3. *Extended Soundness.* Identical to Def. 2, but the adversary is also given the secret key of the reader and the full reader database.

Definition 4. *Privacy.* A privacy protecting protocol, modeled by the system \mathcal{S} , is said to computationally provide privacy notion X , if and only if for all polynomially bounded adversaries \mathcal{A} , it holds that $\text{Adv}_{\mathcal{S}, \mathcal{A}}^X(k) \leq \epsilon$, for negligible ϵ .

The model does not adequately capture insider-attacks that aim to destroy tag privacy, which were recently introduced by Van Deursen *et al.* [26]. For these attacks the adversary controls one valid (insider) tag and has access to the **Result** oracle. As such, they were able to link other valid tags in certain protocols. Since this attack requires access to the **Result** oracle, only the wide privacy notions are affected. Obviously, privacy in presence of a wide-strong privacy attacker implies privacy against an inside attacker, since the former is allowed knowledge of tags' internal states (hence has access to insider tags). For wide-weak and wide-forward private protocols, privacy in presence of insider-attackers needs to be evaluated separately.

2.4 Number-theoretical assumptions

Our proposed protocol is based on Elliptic Curve Cryptography, hence we make use of additive notation. Points on the curve are represented by capital letters while scalars are represented by lowercase letters.

The $\text{xcoord}(\cdot)$ function is the ECDSA conversion function [8], which comes almost for free when using elliptic curves. Assuming an elliptic curve \mathbb{E} with prime order ℓ over \mathbb{F}_p , then for a point $Q = \{q_x, q_y\}$ with $q_x, q_y \in [0 \dots p - 1]$, $\text{xcoord}(Q)$ maps Q to $q_x \pmod{\ell}$.

Discrete Logarithm Let P be a generator of a group \mathbb{G}_ℓ of order ℓ and let A be a given arbitrary element of \mathbb{G}_ℓ . The discrete logarithm (DL) problem is to find the unique integer $a \in \mathbb{Z}_\ell$ such that $A = aP$. The DL assumption states that it is computationally hard to solve the DL problem.

One More Discrete Logarithm The one more discrete logarithm (OMDL) problem was introduced by Bellare *et al.* [3]. Let P be a generator of a group \mathbb{G}_ℓ of order ℓ . Let $\mathcal{O}_1()$ be an oracle that returns random elements $A_i = a_i P$ of \mathbb{G}_ℓ . Let $\mathcal{O}_2(\cdot)$ be an oracle that returns the discrete logarithm of a given input base P . The OMDL problem is to return the discrete logarithms for each of the elements obtained from the m queries to $\mathcal{O}_1()$, while making strictly less than m queries to $\mathcal{O}_2(\cdot)$.

x-Logarithm Brown and Gjøsteen [9] introduced the x-Logarithm (XL) problem: given an elliptic curve point, determine whether its discrete logarithm is congruent to the x-coordinate of an elliptic curve point. The XL assumption states that it is computationally hard to solve the XL problem. Brown and Gjøsteen also provided some evidence that the XL problem is almost as hard as the DDH problem.

Diffie-Hellman Let P be a generator of a group \mathbb{G}_ℓ of order ℓ and let aP, bP be two given arbitrary elements of \mathbb{G}_ℓ , with $a, b \in \mathbb{Z}_\ell$. The computational Diffie-Hellman (CDH) problem is, given P, aP and bP , to find abP . The tuple $\langle P, aP, bP, abP \rangle$ is called a Diffie-Hellman tuple. Given a fourth element $cP \in \mathbb{G}_\ell$, the decisional Diffie-Hellman (DDH) problem is to determine if $\langle P, aP, bP, cP \rangle$ is a valid Diffie-Hellman tuple or not. The DDH assumption states that it is computationally hard to solve the DDH problem.

Oracle Diffie-Hellman Abdalla *et al.* [1] introduced the ODH assumption:

Definition 5. *Oracle Diffie-Hellman (ODH)* Given $A = aP, B = bP$, a function H and an adversary \mathcal{A} , consider the following experiments:

- Experiment $\mathbf{Exp}_{E,H,\mathcal{A}}^{odh}$:
- $\mathcal{O}_1(Z) = H(bZ)$ for $Z \neq \pm A$
 - $\mathcal{O}_2() = H(C)$
 - $g = \mathcal{A}^{\mathcal{O}_1(\cdot), \mathcal{O}_2(\cdot)}(A, B)$
 - Return g

The value C is equal to abP for the $\mathbf{Exp}_{E,H,\mathcal{A}}^{odh-real}$ experiment, chosen at random in \mathbb{G}_ℓ for the $\mathbf{Exp}_{E,H,\mathcal{A}}^{odh-random}$ experiment.

We define the advantage of \mathcal{A} violating the ODH assumption as:

$$|\Pr [\mathbf{Exp}_{E,H,\mathcal{A}}^{odh-real} = 1] - \Pr [\mathbf{Exp}_{E,H,\mathcal{A}}^{odh-random} = 1]|.$$

The ODH assumption consists of the plain DDH assumption combined with an additional assumption on the function $H(\cdot)$. The idea is to give the adversary access to an oracle \mathcal{O}_1 that computes bZ , without giving the adversary the ability to compute bA , which can then be compared with C . To achieve this one restricts the oracle to $Z \neq \pm A$, and moreover, only $H(bZ)$ instead of bZ is released, to prevent the adversary from exploiting the self-reducibility of the DL problem.¹ The crucial property that is required for $H(\cdot)$ is one-wayness. In the following part we use a one-way function based on the DL assumption. We define the function $H(Z) := \text{xcoord}(Z)P$.

Theorem 1. *The function $H(\cdot)$ is a one-way function under the DL assumption.*

3 Previously Proposed Protocols

In this section, we give an overview of previously proposed protocols that are based on public key cryptography. Each of these protocols is correct, sound and achieves narrow-strong privacy.

¹ The adversary can set $Z = rA$ for a known r and compute $r^{-1}(bZ) = bA$.

3.1 Zero Knowledge Based Protocols

The zero knowledge based protocols are proofs of knowledge for a specific verifier (reader) with public key $Y = yP$. The prover (tag) proves knowledge of the private key $x \in \mathbb{Z}_\ell$, which is the discrete logarithm of the corresponding public key $X = xP$, for P a publicly agreed-on generator of \mathbb{G}_ℓ . The public key X of the tag will serve as its identity and has been registered with the reader.

Randomized Schnorr was proposed by Bringer *et al.* [6] (see Fig. 1(a)). It achieves extended soundness and narrow-strong* privacy. This protocol requires only two scalar-EC point multiplications at the tag side.

Randomized Hashed GPS was later proposed by Bringer *et al.* [7] (see Fig. 1(b)). The protocol has extended soundness and narrow-strong* privacy. The authors also claim wide-PI-forward* privacy, i.e., wide-forward* privacy even when the list of registered tags' identities is known. This approach requires two scalar-EC point multiplications and the evaluation of a hash function, for which additional hardware will be needed.

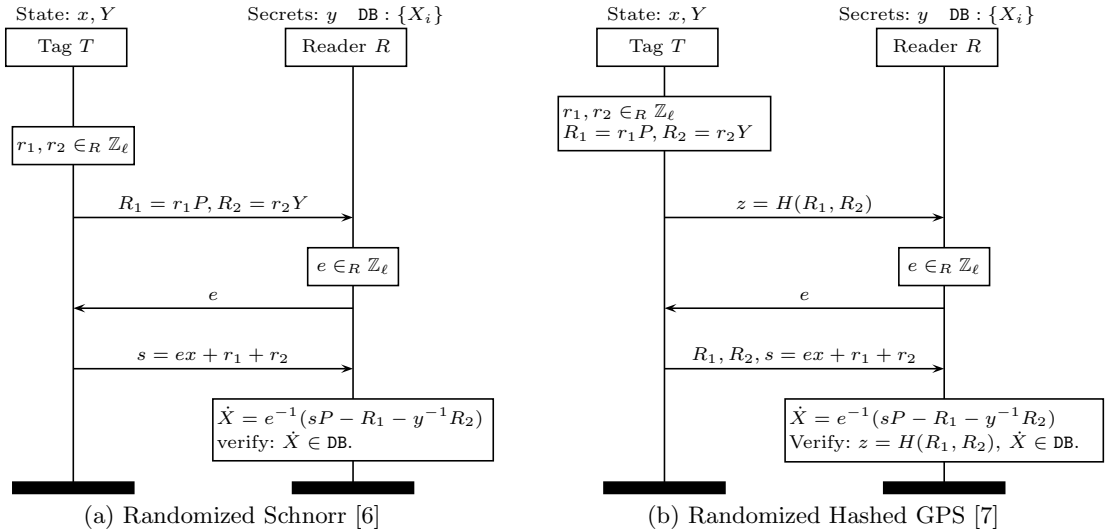


Fig. 1. Zero Knowledge Based Protocols.

Privacy-wise, both protocols suffer from the adversary having complete freedom over the exam e it sends to the tag and the fact that the final message from the tag s contains a term that is linearly dependent on this exam and the secret of the tag x . For this reason these protocols cannot be wide-strong private.² Furthermore, there exist a linear relation between the commitments (R_1, R_2) and the answer s . This, together with the above, makes that Randomized Schnorr cannot be wide-weak private.³ Both protocols are also vulnerable to insider-attacks.⁴

² An attacker in the middle sends $e - 1$ to the virtual tag and responds to the reader with $s + x$. For a correct guess of the tag's identity with known internal state x , the `result` oracle returns 1.

³ For an observed protocol run π_0 , an adversary can test, using the `result` oracle, that the current virtual tag is the tag of π_0 . The adversary mounts a Man-In-The-Middle attack, sends to the reader $(R_1 + R_{1,0}, R_2 + R_{2,0})$, challenges the tag with $e - e_0$ and returns to the reader $s + s_0$.

⁴ Similar to the above. The attacker sends the exam e_0 to the virtual tag in protocol run π_1 . When subtracting the answers $s_0 - s_1$, the tag specific part should cancel out. The attacker starts a protocol run π_2 between its insider tag (with private key x') and the reader. The attacker sets $R_1 = R_{1,0} - R_{1,1}$, $R_2 = R_{2,0} - R_{2,1}$ and replies with $s' = s_0 - s_1 + e_2x'$.

3.2 Public Key Encryption Based Protocols

For these protocols, the reader has a public/private key pair (PK, pk) . The identities ID of tags that registered, are stored in the reader's database. The tag and reader share a symmetric key K .

Vaudenay's Public Key Protocol [27] (see Fig. 2(a)) requires the tag to compute the public key encryption of one message. This cryptosystem needs to be secure against adaptive chosen ciphertext attacks (IND-CCA2) to have a secure identification scheme that achieves narrow-strong and wide-forward privacy. When evaluating this protocol in the privacy model of Hermans *et al.* [17], this protocol achieves wide-strong privacy. One of the most efficient IND-CCA2 cryptosystems in the standard model is DHIES [1]. This cryptosystem requires two scalar-EC point multiplications, one evaluation of a hash function, one evaluation of a MAC algorithm and the invocation of symmetric encryption scheme per encryption.

Hash ElGamal-based protocol was proposed by Canard *et al.* [10] (see Fig. 2(b)). This protocol is secure, narrow-strong private and future untraceable. It is unclear how future untraceability (as defined by Canard *et al.* [10]) and wide-strong privacy relate to each other, however, these seem to be closely related. It makes use of a cryptosystem that is secure against chosen plaintext attacks (IND-CPA), Hash ElGamal; and a MAC algorithm. This scheme is more efficient than Vaudenay's public key scheme since the underlying encryption does not need to be IND-CCA2. Note that the combination of a MAC and IND-CPA encryption used in this specific protocol in fact provides IND-CCA2 encryption for the type of plaintext messages used [20]. The tag is required to compute two scalar-EC point multiplications, one evaluation of a hash function and one evaluation of a MAC algorithm.

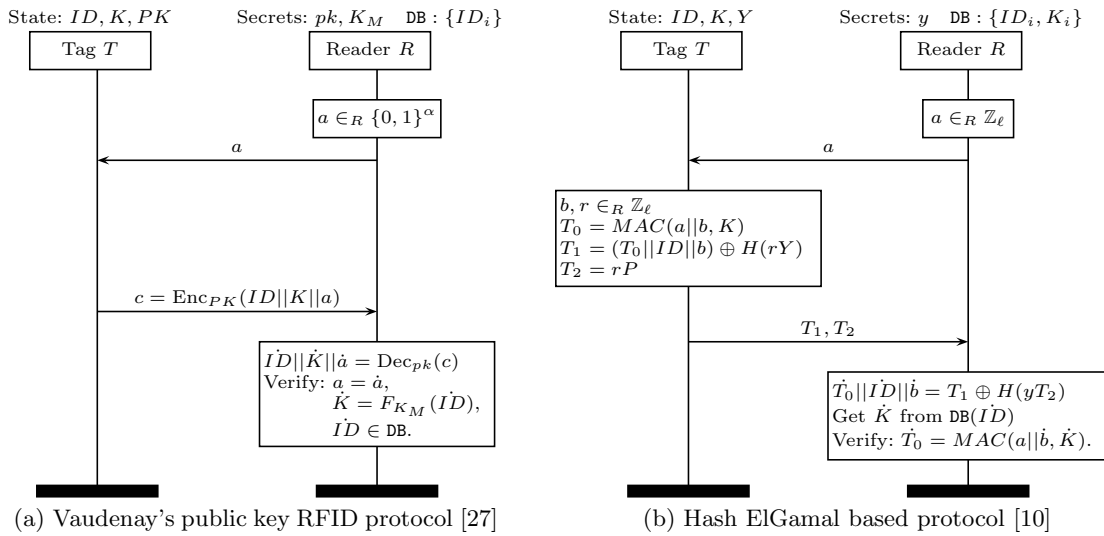


Fig. 2. Public Key Encryption Based Protocols.

Neither protocol achieves extended soundness. The tag and the reader need to store some shared (secret) data. These shared data consist of an identifier ID and a shared secret key K . Both protocols achieve wide-strong privacy and soundness can also be proven under the more strict definition of matching conversations. Wide-strong privacy rules out insider attacks on privacy.

4 A New Protocol

Our proposed protocol is a modified version of the Schnorr identification protocol [24]. The original protocol is proven secure by Bellare [4] under the OMDL assumption. This protocol consists three passes: commit, exam and response. A consequence of having a three pass protocol is that only the X^* privacy notions can be reached.

Our starting point is a variant of the Schnorr identification protocol, where the exam of the reader is applied to the tag's randomness instead of its secret. This variant is equivalent to the original protocol, except for the case that $e = 0$. In the original Schnorr identification protocol this results in the adversary learning the tag's randomness while in the variant the adversary will learn the tag's secret. This situation can easily be avoided by having the tag check that e is not equal to 0.

Privacy is ensured by introducing a blinding factor d that can only be computed by the tag and the reader. The blinding factor is applied to the secret x of the tag in its response. This blinding factor only depends on input of the tag and the public key of the reader, which is known to the tag. As such an adversary cannot influence the value of this blinding factor. In contrast to previously proposed zero-knowledge based protocols (see Sect. 3.1), the factor applied to the secret cannot be influenced by an adversary.

An overview of the proposed protocol is given in Fig. 3. The tag generates two random numbers r_1 and r_2 , where the former is needed for extended soundness and the latter is used to ensure privacy. The tag commits to its randomness by sending R_1, R_2 to the reader. The reader verifies that neither $R_1 = O$ nor $R_2 = O$, the point at infinity. The tag's response is $s = dx + er_1$, with d the blinding factor as computed by the tag. The reader verifies by checking that a tag with public key $\dot{X} = \dot{d}^{-1}(sP - eR_1)$, with \dot{d} the blinding factor as computed by the reader, has been registered. The reader keeps a list of all incomplete sessions. If a session timeout occurs or the tag fails to identify for a given challenge, the session is also considered to be completed.

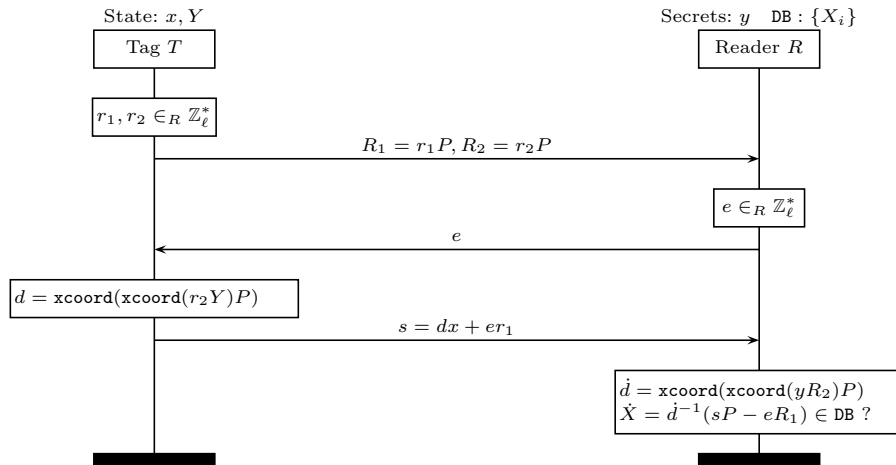


Fig. 3. Private RFID identification protocol.

The blinding factor contains $r_2 Y = y R_2$. Given the CDH assumption, this value can only be computed when given either r_2 or y . To prevent an adversary of exploiting the self-reducibility of the DL problem, this value is encapsulated in a one-way function. An obvious one-way function is a cryptographic hash function. However, to implement a cryptographic hash function on an RFID tag, additional logic is required. Current hash functions [25] require at least 50% of the circuit area of the most compact ECC implementation. For this reason we propose the following one-way function, that is build using only EC operations $H(r_2 Y) = \text{xcoord}(r_2 Y) P$. The value d is set to the x-coordinate of the EC point.

4.1 Analysis

The first two theorems deal with the security properties of the proposed protocol. The last theorem deals with the privacy properties of the proposed protocol.

Theorem 2. *The proposed protocol is correct according to Def. 1.*

Proof. Since $d = \text{xcoord}(\text{xcoord}(r_2Y)P) = \text{xcoord}(\text{xcoord}(r_2yP)P)$
 $= \text{xcoord}(\text{xcoord}(yR_2)P) = \dot{d}$,

it follows that $\dot{X} = \dot{d}^{-1}(sP - eR_1) = d^{-1}((dx + er_1)P - er_1P) = X$. \square

Theorem 3. *The proposed protocol has extended soundness according to Def. 2 under the OMDL assumption.*

Proof. Assume an adversary \mathcal{A} that can break the extended soundness with non-negligible probability, i.e. that can perform a fresh, valid authentication with the verifier. Without loss of generality we will assume the target tag is known at the start of the game.⁵ We construct an adversary \mathcal{B} that wins the OMDL game as follows:

- Set $X = \mathcal{O}_2()$. X will be used as the public key of the target tag.
- \mathcal{B} executes \mathcal{A} . During the first phase of \mathcal{A} , \mathcal{B} simulates the **SendTag** oracles for the target tag as follows (all other oracles are simulated as per protocol specification):
 - On the first **SendTag**($vtag$) query of the i 'th protocol run: return $R_{2,i} = r_{2,i}P$ with $r_{2,i} \in_R \mathbb{Z}_\ell$ and $R_{1,i} = \mathcal{O}_2()$.
 - On the second **SendTag**($vtag, e_i$) query of the i 'th protocol run: set $d_i = \text{xcoord}(\text{xcoord}(r_{2,i}Y)P)$ and return $s_i = \mathcal{O}_1(d_iX + e_iR_{1,i})$
- During the second phase of \mathcal{A} , \mathcal{B} proceeds as follows:
 - On the first call of \mathcal{A} to **Result**(π), compute $d = \text{xcoord}(\text{xcoord}(yR_2)P)$ and store (s, d) . Next, rewind \mathcal{A} until right before the call to **SendReader**(π, R_1, R_2). On the next call to **SendReader**(π, R_1, R_2), return a new random e' .
 - On the next call of \mathcal{A} to **Result**(π): compute $r_1 = s^{-s'}/e^{-e'}$ and $x = d^{-1}(s - r_1)$ return $(x, e_1^{-1}(s_1 - d_1x), \dots, e_k^{-1}(s_k - d_kx))$.

The simulation by \mathcal{B} is perfect during both phases. At the end of the game \mathcal{B} will successfully win the OMDL with non-negligible probability, unless $s = s'$, which happens with negligible probability since both e and e' are randomly chosen after $R_2 \neq O$ is fixed. \square

Theorem 4. *The proposed protocol is wide-strong private according to Def. 4 under the ODH and the XL assumption.*

Proof. Assume an adversary \mathcal{A} that wins the privacy game with non-negligible advantage. Using a standard hybrid argument [29, 15], we construct an adversary that breaks the ODH-assumption. We set $Y = B$. \mathcal{B}_i plays the privacy game with \mathcal{A} . \mathcal{B}_i selects a random bit \tilde{b} , which will indicate which world is simulated to \mathcal{A} . All oracles are simulated in the regular way, with the exception of the **SendTag** and **Result** oracle for the target tag:

- **SendTag**($vtag$):
 - $j \neq i$: Generate $r_1, r_2 \in_R \mathbb{Z}_\ell$. Take $R_1 = r_1P, R_2 = r_2P$. Return R_1 and R_2 .
 - $j = i$: Generate $r_1 \in_R \mathbb{Z}_\ell$. Take $R_1 = r_1P, R_2 = A$. Return R_1 and R_2 .
- **SendTag**($vtag, e$), j 'th query: retrieve the tuple $(vtag, T_0, T_1)$ from the table \mathcal{D} . Take the key x for tag $T_{\tilde{b}}$.
 - $j < i$: Generate $r \in_R \mathbb{Z}_\ell$. Take $d = \text{xcoord}(H(rP))$. Return $s = dx + er_1$.
 - $j = i$: Take $d = \text{xcoord}(\mathcal{O}_2())$. Return $s = dx + er_1$.
 - $j > i$: Take $d = \text{xcoord}(H(r_2Y))$. Return $s = dx + er_1$.

⁵ Otherwise, the proof can be adapted by choosing the public key of the first tag as $X_1 = \mathcal{O}_2()$ and for all following tags $X_i = r_iX_1$ with $r_i \in_R \mathbb{Z}_\ell$.

- **Result**(π): If the received R_2 in session π matches A from the ODH problem take $\dot{d} = \text{xcoord}(\mathcal{O}_2())$. If not, check if R_2 matches any of the R_2 's generated during the first $i - 1$ **SendTag** queries. If so, use the r generated in that query and compute $\dot{d} = \text{xcoord}(H(rP))$. Otherwise, take $\dot{d} = \text{xcoord}(\mathcal{O}_1(R_2))$. Finally, compute $\dot{X} = \dot{d}^{-1}(sP - eR_1)$. Check \dot{X} with the database, return true if \dot{X} is found, false otherwise.

At the end of the game \mathcal{A} outputs its guess g for the privacy game. \mathcal{B}_i outputs $(\tilde{b} == g)$.

The above simulation to \mathcal{A} is perfect, since validation is done in the same way as the protocol specification. If $R_2 = A$, the oracle $\mathcal{O}_1(\cdot)$ cannot be used. However, in this case we know the corresponding value of d by directly calling the $\mathcal{O}_2()$ oracle, which gives the same result.

We use \mathcal{A}^i (with $i \in [1 \dots k]$) to denote the case that \mathcal{A} runs with the first i **SendTag** queries random instances, and the other queries real instances. This is the case when \mathcal{B}_{i+1} runs with a real ODH instance, or \mathcal{B}_i with a random ODH instance.

By the hybrid argument we get that $\|\Pr[\mathcal{A}^0 \text{ wins}] - \Pr[\mathcal{A}^k \text{ wins}]\| \leq \sum \text{Adv}_{\mathcal{B}_i}$. Note that \mathcal{A}^i wins if $\tilde{b} == g$. In the case of \mathcal{A}^0 , $\Pr[\mathcal{A}^0 \text{ wins}] = \Pr[\mathcal{A} \text{ wins}]$. In the case of \mathcal{A}^k however, the output from **SendTag** is always random and independent of x : note that $d = \text{xcoord}(\text{xcoord}(rP)P)$ with $r \in_R \mathbb{Z}_\ell$. Under the XL assumption it follows that d is random according to the x-coordinate distribution and independent of R_1, R_2 and e . Since $s = dx + er_1$, s is also random and independent of R_1, R_2, e and x . So \mathcal{A}^k has probability $1/2$ of winning the privacy game, since it obtains no information at all from a tag.

$$\begin{aligned} \|\Pr[\mathcal{A}^0 \text{ wins}] - \Pr[\mathcal{A}^k \text{ wins}]\| &= \|\Pr[\mathcal{A} \text{ wins}] - \frac{1}{2}\| \\ &= \frac{1}{2} \text{Adv}_{\mathcal{A}}^{\text{privacy}} \\ &\leq \sum \text{Adv}_{\mathcal{B}_i} \end{aligned}$$

It follows that at least one of the \mathcal{B}_i has non-negligible probability to win the ODH game. \square

4.2 Efficiency Optimization

Only one random value r is generated by the tag ($r_1 = r_2$). As such, the tag has to compute one less scalar-EC point multiplication and has to transmit one less element. The blinding factor is changed $d = \text{xcoord}(r_2Y)$. This reduces the computational effort required from the tag with another scalar-EC point multiplication. The function to compute the blinding factor is no longer one-way for r_2Y , however, the response s is. An overview of the protocol is given in Fig. 4

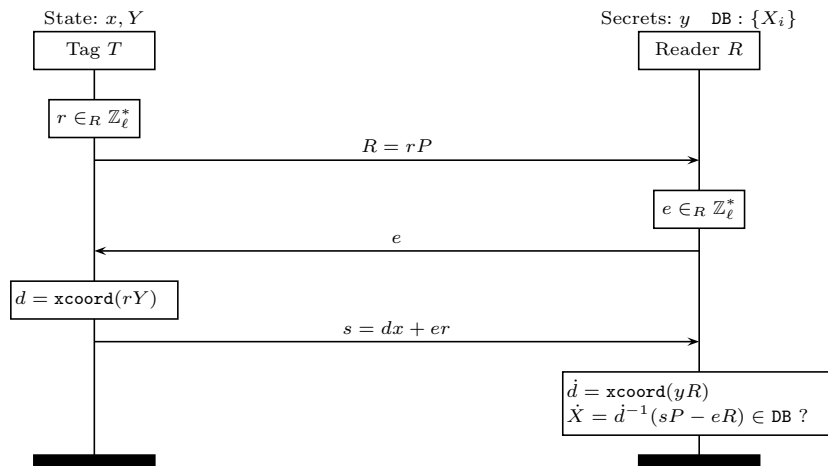


Fig. 4. Optimized Private RFID identification protocol.

Theorem 5. *The optimised protocol has extended soundness according to Def. 3 under the OMDL assumption.*

Proof. The proof is the same as the proof for the basic version of the protocol, except that $d = \text{xcoord}(rY)$ and $R = R_1 = R_2$. \square

For privacy an extended ODH variant is required with some additional oracles. The original ODH variant from Def. 5 gives direct access to an oracle for computing the blinding factor d . This is no longer possible since $d = \text{xcoord}(C)$ does not involve a one-way function and allows recovery of C .

Theorem 6. *The optimised protocol is wide-strong* private according to Def. 4 under an extended ODH assumption.*

The privacy of variant II can be shown under an extended ODH assumption featuring the following oracles:

- $\mathcal{O}_1(Z_1, Z_2) = \text{xcoord}(bZ_1)^{-1}Z_2$ with $Z_1 \neq \pm A$
- $\mathcal{O}_2(Z) = \text{xcoord}(C)^{-1}Z$
- $\mathcal{O}_3(z) = \text{xcoord}(C)z + a$ (can only be invoked once)

The adversary is given access to these three oracles and $A = aP, B = bP$. Note that \mathcal{O}_3 can only be called once during the ODH game to prevent the value a from being leaked, while the other oracles can be called multiple times.

A similar privacy proof as in Section 4.1 can be used, with different oracle calls in the **SendTag** and **Result** simulation. In this case $e \cdot \mathcal{O}_3(e^{-1}x)$ is used in **SendTag** for generating a reply (if $i = j$) and \mathcal{O}_1 and \mathcal{O}_2 are used in the **Result** oracle to replace the computation of $d^{-1}Q$ with $Q = sP - eR_1$.

5 Implementation Considerations

Our protocol requires the evaluation of scalar-EC point multiplications and the generation of a random number. For 80 bit security, we need an elliptic curve over a field that is approximately 160 bits in size. The protocol can be implemented on the architecture proposed by Lee *et al.* [22]. Their ECC coprocessor can be built with less than 15 kGEs (Gate Equivalent), consumes $\pm 13, 8\mu W$ of power and takes around 85 *ms* for one scalar-EC point multiplication. More recently, Wenger and Hutter [28] proposed an ECC coprocessor that only requires 9 kGEs, consumes $\pm 32, 3\mu W$ of power and takes around 286 *ms* for one scalar-EC point multiplication. Aside from the ECC coprocessor, circuit area is required for the ROM (Read Only Memory), RAM (Random Access Memory) and RNG (Random Number Generator).

5.1 Coupons

Several papers [7, 10] proposed to optimize their private RFID authentication protocols by means of precomputation. These precomputed values are stored in the form of coupons. When using coupons, the time needed by the tag to do the necessary computations drops. The most striking example is the Randomized Hashed GPS: the tag does not need to compute complex scalar-EC point multiplications and evaluate a hash function anymore, instead only some simple scalar arithmetic is performed. Of course, the use of coupons comes with a price, i.e. storage also requires circuit area. As introduced by Girault *et al.* [14], the size of coupons can be minimized by not including the randomness in the coupons, but instead implementing a pseudo-random function with a seed on the tag to generate these random numbers when the coupons are used. But even so, only a limited number of coupons can be stored on the tag.⁶ The question on how to securely get these coupons on the tag remains. These coupons can be generated by the tag itself, whenever energy is available. In this case, at the expense of having a slightly bigger design,

⁶ Abstracting away from the necessary control logic, one needs about one floating gate for each bit of storage. This means that we can only store 6-7 elements for a circuit area equivalent to 1kGE.

private authentication protocols might be executed faster. Another option is that the coupons are generated by a third party and pushed on the tag. In this case, one can sometimes save on circuit area. For instance, the tag might only need to compute EC point additions or even only need scalar arithmetic. This approach has two disadvantages: first of all an attacker can quite easily mount a denial of service attack, since tags respond to any query; second, transferring these coupons securely is not straightforward. Lastly, it can be argued that strong privacy is not achievable when using coupons or a pseudo-random function instead of a true random number generator. Through the **Corrupt** oracle, the adversary learns the complete internal state of the tag, which also comprises coupons and/or the seed of the pseudo-random function. For these reasons we do not consider coupons.

5.2 Comparison

Now we will compare our protocol and its variants to previously proposed protocols, described in Sect. 3. A general overview of the protocols is given in Table 1.

Both the Randomized Schnorr and our proposed protocol benefit from a compact hardware design, only an ECC coprocessor is needed. The other protocols require additional hardware to evaluate a cryptographic hash function, which makes the design substantially larger. Recall that current hash functions [25] require at least 50% of the circuit area of the most compact ECC implementation.

The scalar-EC point multiplication is more complex than the evaluation of a hash/MAC. For a fair comparison between the performance of protocols that require the evaluation of a hash/MAC and protocols that do not, we assume the same total available circuit size. This means that our protocol can be implemented using a larger but faster ECC processor.

When also considering the more general setting, where a single tag can identify the end-user privately to multiple readers, the tags not only need to store an extra public key for every reader but also corresponding shared data, if any. In this setting there is a clear advantage for protocols that provide extended soundness, since the tag can use the same private/public key pair to identify to each reader.

Table 1. Overview different proposed protocols.

Protocol	Strongest Privacy	Insider Private	Extended Soundness	Operations
Randomized Schnorr [6]	narrow-strong*	no	yes	2 EC mult
Randomized Hashed GPS [7]	narrow-strong* wide-forward*	no	yes	2 EC mult 1 hash
Vaudenay [27] + DHIES [1]	wide-strong	yes	no	2 EC mult 1 hash 1 MAC 1 symm enc
Hash ElGamal [10]	wide-strong	yes	no	2 EC mult 1 hash 1 MAC
Proposed Protocol (Sect. 4)	wide-strong*	yes	yes	4 EC mult
- optimized version (Sect. 4.2)	wide-strong*	yes	yes	2 EC mult

6 Conclusions

This paper proposes a new wide-strong private RFID identification protocol. Unlike previous proposals, that are based on IND-CCA2 encryption, our protocol is based on zero-knowledge. Security and privacy of our protocol and all its optimised variant are proven in the standard model. Our protocol is the most efficient in its kind and can be implemented on RFID tags, using only Elliptic Curve Cryptography. This allows for a compact hardware design and requires minimal computational effort from the tag, namely two scalar-EC point multiplications. As an additional benefit, our protocols do not require any shared secrets between readers and tags.

References

1. M. Abdalla, M. Bellare, and P. Rogaway. The Oracle Diffie-Hellman Assumptions and an Analysis of DHIES. In D. Naccache, editor, *Topics in Cryptology – CT-RSA 2001*, volume 2020 of *Lecture Notes in Computer Science*, pages 143–158. Springer, 2001.
2. F. Armknecht, A.-R. Sadeghi, A. Scafuro, I. Visconti, and C. Wachsmann. Impossibility Results for RFID Privacy Notions. In M. Gavrilova, C. Tan, and E. Moreno, editors, *Transactions on Computational Science XI*, volume 6480 of *Lecture Notes in Computer Science*, pages 39–63. Springer Berlin / Heidelberg, 2010.
3. M. Bellare, C. Namprempre, D. Pointcheval, and M. Semanko. The One-More-RSA-Inversion Problems and the Security of Chaum’s Blind Signature Scheme. *Journal of Cryptology*, 16:185–215, 2003.
4. M. Bellare and A. Palacio. GQ and Schnorr Identification Schemes: Proofs of Security against Impersonation under Active and Concurrent Attacks. In *Advances in Cryptology – CRYPTO 2002*, volume 2442 of *LNCS*, pages 162–177. Springer-Verlag, 2002.
5. O. Billet, J. Etrog, and H. Gilbert. Lightweight Privacy Preserving Authentication for RFID Using a Stream Cipher. In *17th International Workshop on Fast Software Encryption (FSE ’10)*, volume 6147 of *LNCS*, pages 55–74. Springer-Verlag, 2010.
6. J. Bringer, H. Chabanne, and T. Icart. Cryptanalysis of EC-RAC, a RFID Identification Protocol. In *International Conference on Cryptology and Network Security – CANS ’08*, volume 5339 of *LNCS*, pages 149–161. Springer-Verlag, 2008.
7. J. Bringer, H. Chabanne, and T. Icart. Efficient Zero-Knowledge Identification Schemes which respect Privacy. In *Proceedings of the 4th International Symposium on Information, Computer, and Communications Security, ASIACCS ’09*, pages 195–205. ACM, 2009.
8. D. R. Brown. Generic Groups, Collision Resistance, and ECDSA. *Designs, Codes and Cryptography*, 35(1):119–152, 2005.
9. D. R. L. Brown and K. Gjøsteen. A Security Analysis of the NIST SP 800-90 Elliptic Curve Random Number Generator. In *Advances in Cryptology – CRYPTO ’07*, volume 4622 of *LNCS*, pages 466–481. Springer, 2007.
10. S. Canard, I. Coisel, J. Etrog, and M. Girault. Privacy-Preserving RFID Systems: Model and Constructions. Cryptology ePrint Archive, Report 2010/405, 2010. <http://eprint.iacr.org/>.
11. I. Damgård and M. Ø. Pedersen. Rfid security: Tradeoffs between security and efficiency. In T. Malkin, editor, *Topics in Cryptology – CT-RSA ’08*, volume 4964 of *Lecture Notes in Computer Science*, pages 318–332. Springer, 2008.
12. B. Danev, T. S. Heydt-Benjamin, and S. Čapkun. Physical-layer Identification of RFID Devices. In *USENIX Security ’09*, pages 125–136. USENIX, 2009.
13. H. Gilbert, M. J. Robshaw, and Y. Seurin. HB#: Increasing the Security and Efficiency of HB+. In *Advances in Cryptology – EuroCrypt 2008*, volume 4965 of *LNCS*, pages 361–378. Springer-Verlag, 2008.
14. M. Girault, G. Poupard, and J. Stern. On the Fly Authentication and Signature Schemes Based on Groups of Unknown Order. *J. Cryptology*, 19:463–487, 2006.
15. O. Goldreich. *Foundations of Cryptography: Volume 1, Basic Tools*. Cambridge University Press, 2001.
16. D. Hein, J. Wolkerstorfer, and N. Felber. *ECC Is Ready for RFID — A Proof in Silicon*, pages 401–413. Springer-Verlag, Berlin, 2009.
17. J. Hermans, A. Pashalidis, F. Vercauteren, and B. Preneel. A New RFID Privacy Model. In V. Atluri and C. Diaz, editors, *ESORICS 2011*, volume 6879 of *LNCS*, pages 568–587. Springer, 2011.
18. A. Juels and S. A. Weis. Authenticating Pervasive Devices with Human Protocols. In *Advances in Cryptology – CRYPTO 2005*, volume 3621 of *LNCS*, pages 293–308. Springer-Verlag, 2005.
19. A. Juels and S. A. Weis. Defining Strong Privacy for RFID. *ACM Trans. Inf. Syst. Secur.*, 13:7:1–7:23, November 2009.
20. H. Krawczyk. The Order of Encryption and Authentication for Protecting Communications (or: How Secure Is SSL?). In *Advances in Cryptology – CRYPTO 2001*, volume 2139 of *Lecture Notes in Computer Science*, pages 310–331. Springer, 2001.
21. Y. K. Lee, L. Batina, K. Sakiyama, and I. Verbauwhede. Elliptic Curve Based Security Processor for RFID. *IEEE Transactions on Computers*, 57(11):1514–1527, 2008.
22. Y. K. Lee, L. Batina, D. Singelée, and I. Verbauwhede. Low-Cost Untraceable Authentication Protocols for RFID. In C. Nita-Rotaru and F. Stajano, editors, *Proceedings of the 3rd ACM conference on Wireless network security (WiSec 2010)*, pages 55–64, Hoboken,NJ,USA, 2010. ACM.
23. K. B. Rasmussen and S. Čapkun. Realization of RF Distance Bounding. In *USENIX Security Symposium ’10*, pages 389–402. USENIX, 2010.

24. C.-P. Schnorr. Efficient Signature Generation by Smart Cards. *Journal of Cryptology*, 4(3):161–174, 1991.
25. SHA-3 Zoo. Overview of all candidates for the current SHA-3 hash competition organized by NIST. http://ehash.iaik.tugraz.at/wiki/The_SHA-3_Zoo.
26. T. van Deursen and S. Radomirović. Insider attacks and privacy of RFID protocols. In S. Petkova-Nikova, A. Pashalidis, and G. Pernul, editors, *EuroPKI 2011*, volume 7163 of *Lecture Notes in Computer Science*, pages 65–80. Springer, 2011.
27. S. Vaudenay. On Privacy Models for RFID. In K. Kurosawa, editor, *Advances in Cryptology - ASIACRYPT 2007*, volume 4833 of *LNCS*, pages 68–87. Springer Berlin / Heidelberg, 2007.
28. E. Wenger and M. Hutter. A Hardware Processor Supporting Elliptic Curve Cryptography for Less Than 9 kGEs. In E. Prouff, editor, *Smart Card Research and Advanced Applications - CARDIS 2011*, volume 7079 of *LNCS*. Springer, 2011. in press.
29. A. C.-C. Yao. Theory and applications of trapdoor functions (extended abstract). In *FOCS*, pages 80–91. IEEE Computer Society, 1982.